



PINKGOLD (C238)



PARTS CATALOG

PINKGOLD (C238)

PARTS CATALOG

This catalog gives the numbers and names of parts on this machine.

CONTENTS

PINKGOLD	(C238)
Platen Cover Type 1018	(B406)
Document Feeder	(C600)

PINKGOLD (C238)

PINKGOLD (C238)

PARTS CATALOG

This catalog gives the numbers and names of parts on this machine.

CONTENTS

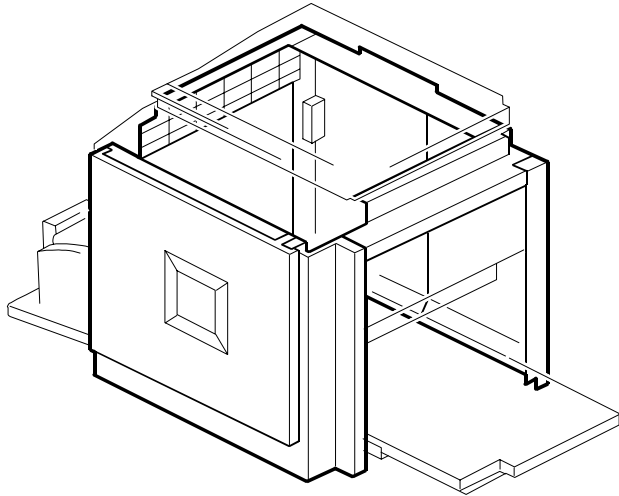
LOCATION OF UNIT	2	18.Master Eject Unit (C238)	40
1.EXTERIOR (C238)	6	19.Drive Section 1 (C238)	42
2.Operation Panel (C238)	8	20.Drive Section 2 (C238)	44
3.Scanner Unit 1 (C238).....	10	21.Electrical Section 1 (C238)	46
4.Scanner Unit 2 (C238).....	12	22.Electrical Section 2 (C238)	48
5.Scanner Unit 3 (C238).....	14	23.Frame Section (C238)	50
6.Paper Table Section (C238).....	16	24.MPU Board (C238)	52
7.Paper Feed Section (C238).....	18	25.Decals And Documents (C238)	60
8.Paper Regisrration (C238)	20	26.Accessories And Special Tools (C238)	64
9.Plotter Unit 1 (C238).....	22	Parts Index	67
10.Plotter Unit 2 (C238).....	24		
11.Press Roller Section (C238).....	26		
12.Drum Unit 1 (C238)	28		
13.Drum Unit 2 (C238)	30		
14.Drum Unit 3 (C238)	32		
15.Drum Unit 4 (C238)	34		
16.Vacuum Fan Unit (C238).....	36		
17.Delibary Table (C238)	38		



October ,20 ' 2001

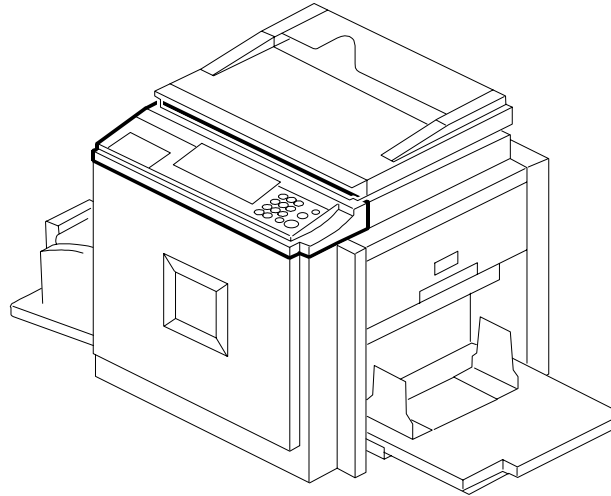
LOCATIONS OF UNITS

1. EXTERIOR (C238)



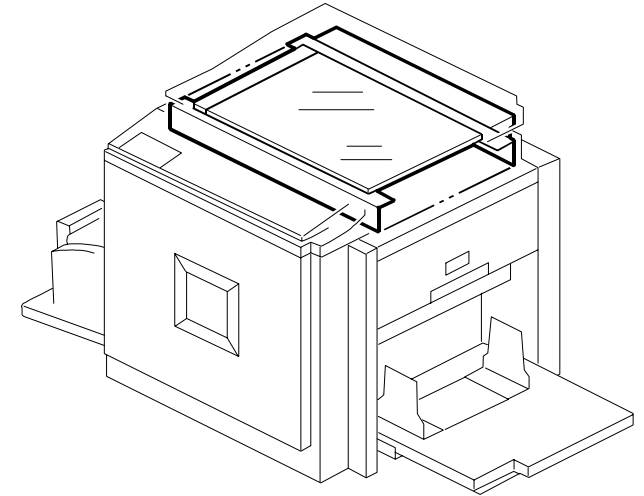
See Page 7

2. Operation Panel (C238)



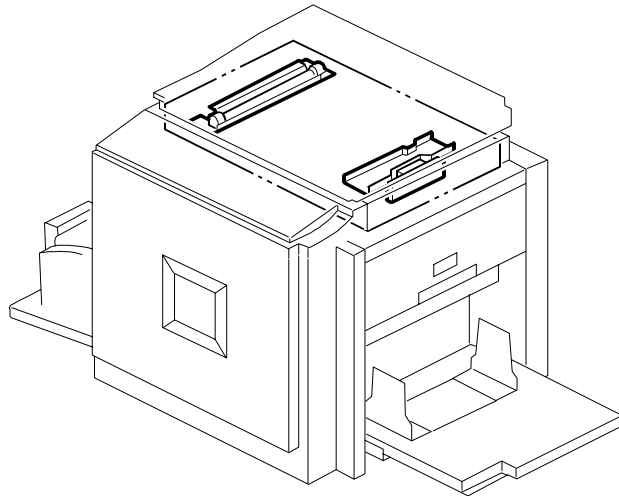
See Page 9

3. Scanner Unit 1 (C238)



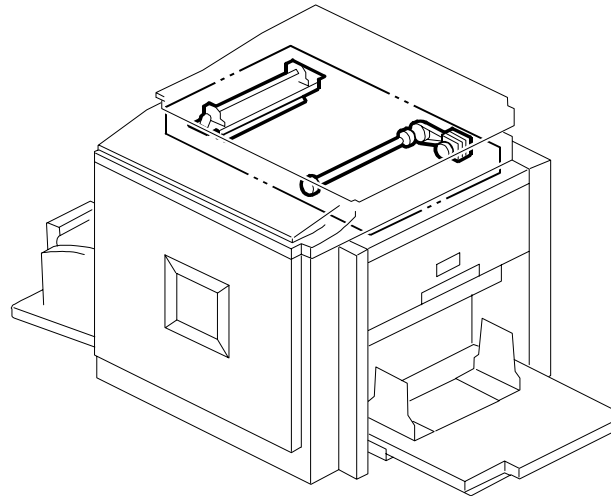
See Page 11

4. Scanner Unit 2 (C238)



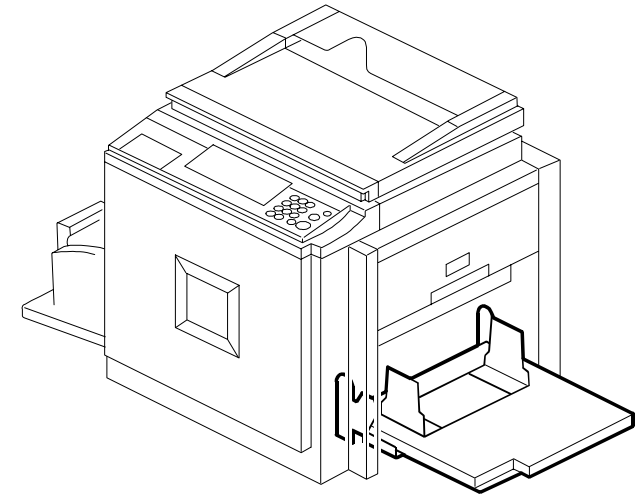
See Page 13

5. Scanner Unit 3 (C238)



See Page 15

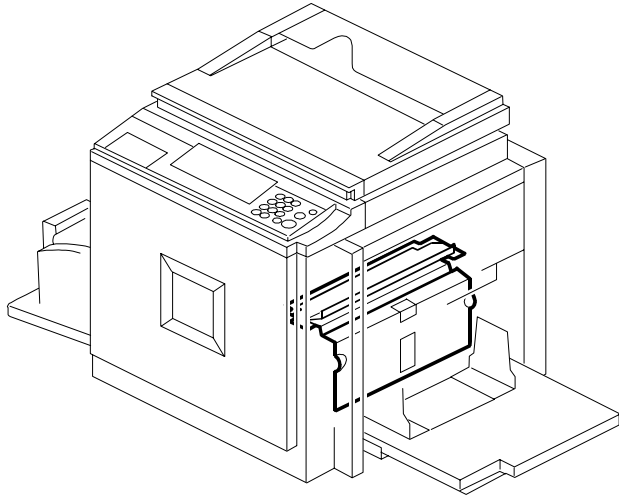
6. Paper Table Section (C238)



See Page 17

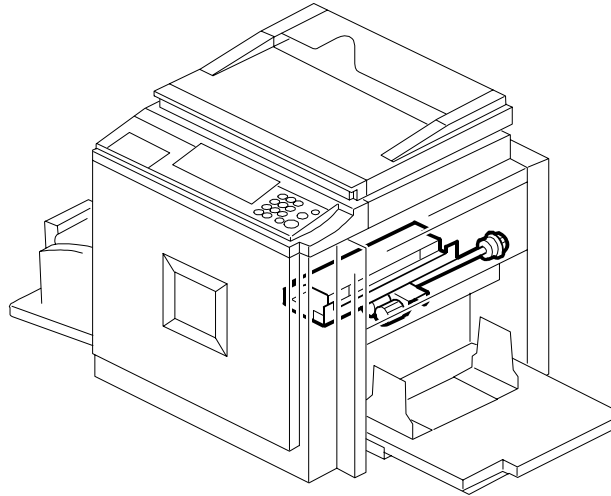
LOCATIONS OF UNITS

7. Paper Feed Section (C238)



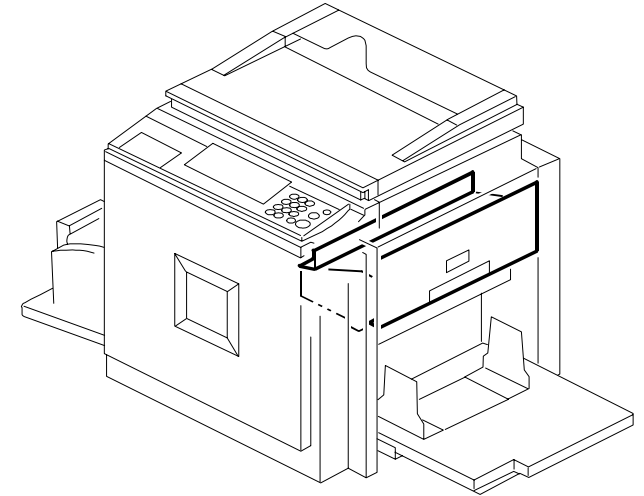
See Page 19

8. Paper Registration (C238)



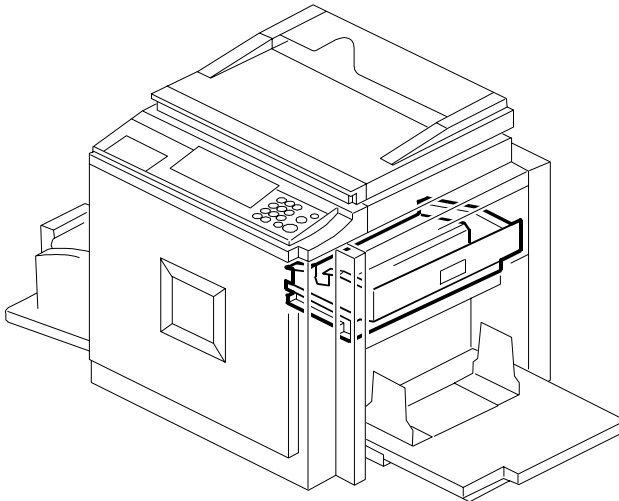
See Page 21

9. Plotter Unit 1 (C238)



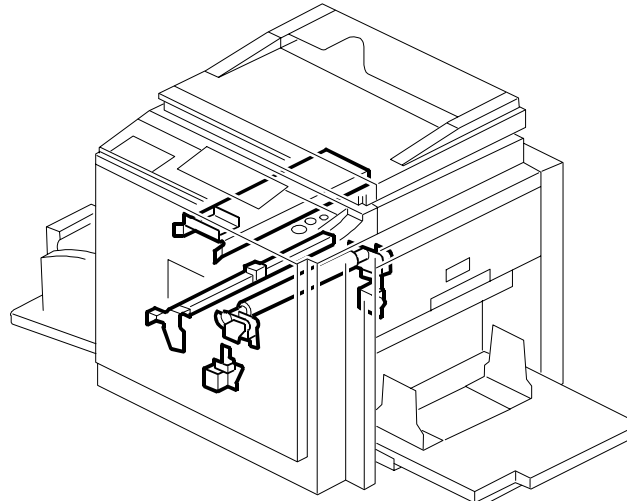
See Page 23

10. Plotter Unit 2 (C238)



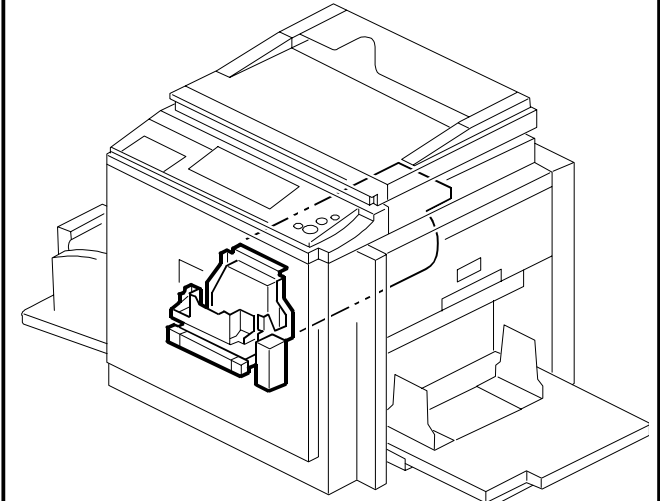
See Page 25

11. Press Roller Section (C238)



See Page 27

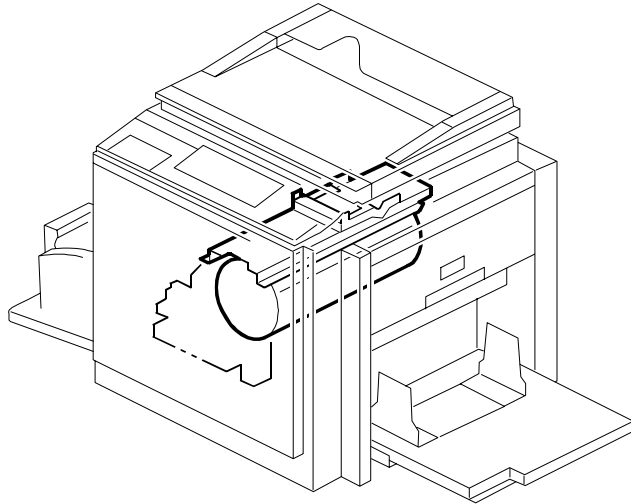
12. Drum Unit 1 (C238)



See Page 29

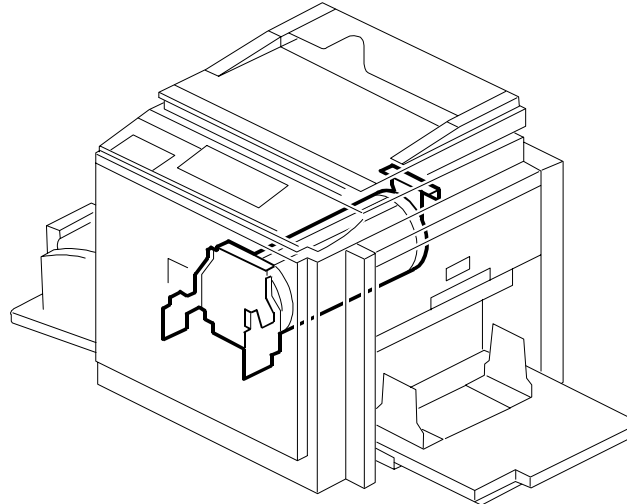
LOCATIONS OF UNITS

13. Drum Unit 2 (C238)



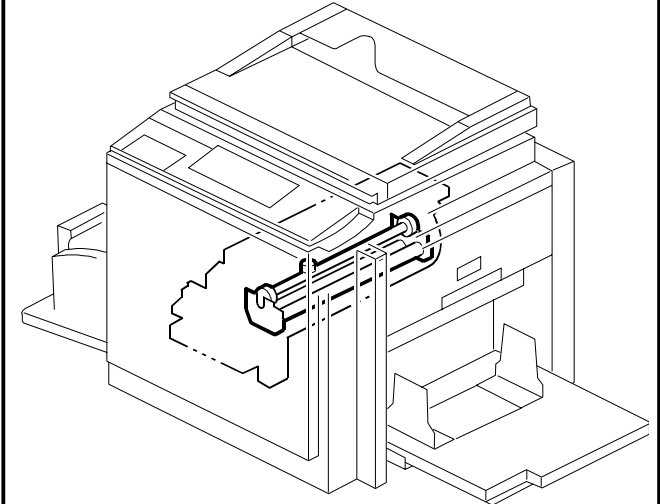
See Page 31

14. Drum Unit 3 (C238)



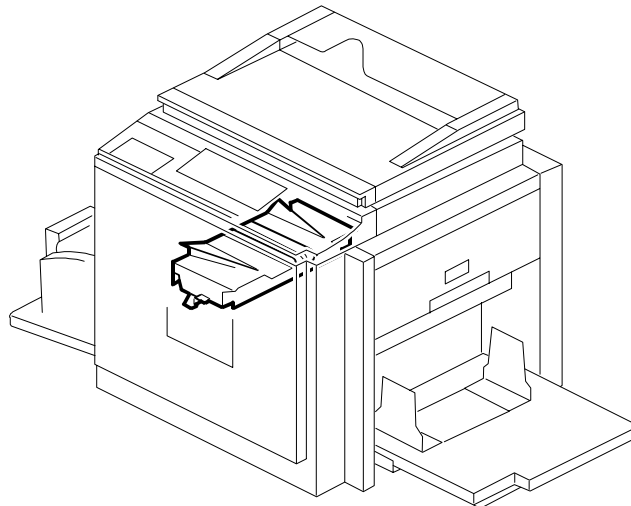
See Page 33

15. Drum Unit 4 (C238)



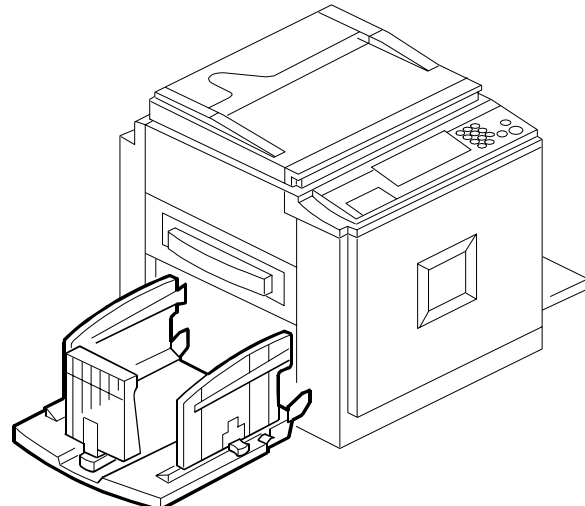
See Page 35

16. Vacuum Fan Unit (C238)



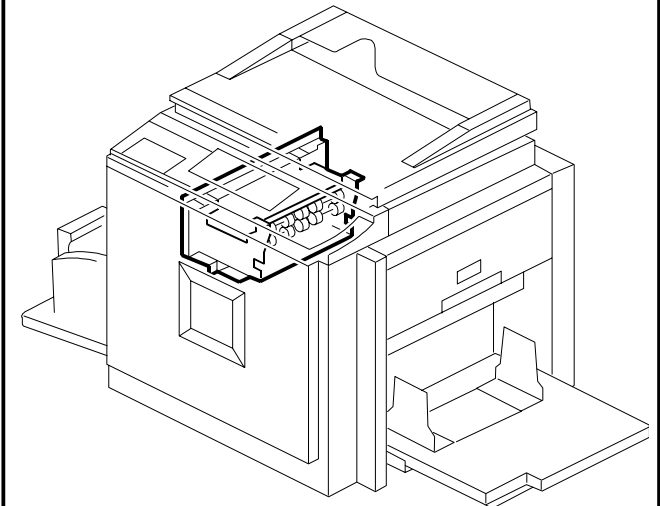
See Page 37

17. Delivery Table (C238)



See Page 39

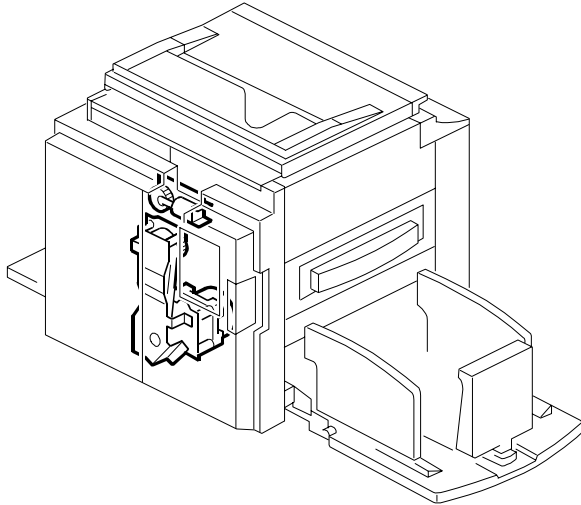
18. Master Eject Unit (C238)



See Page 41

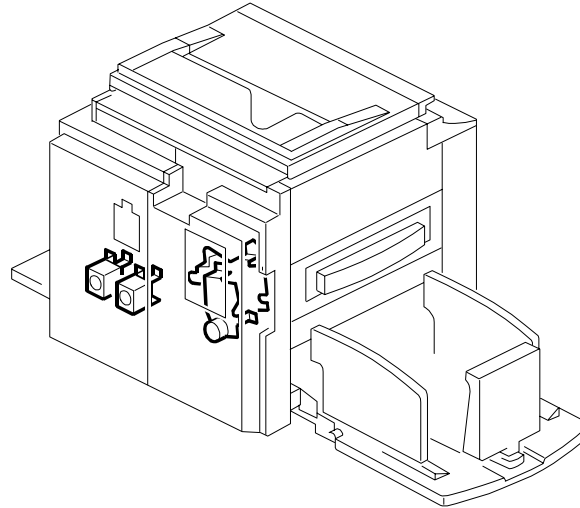
LOCATIONS OF UNITS

19. Drive Section 1 (C238)



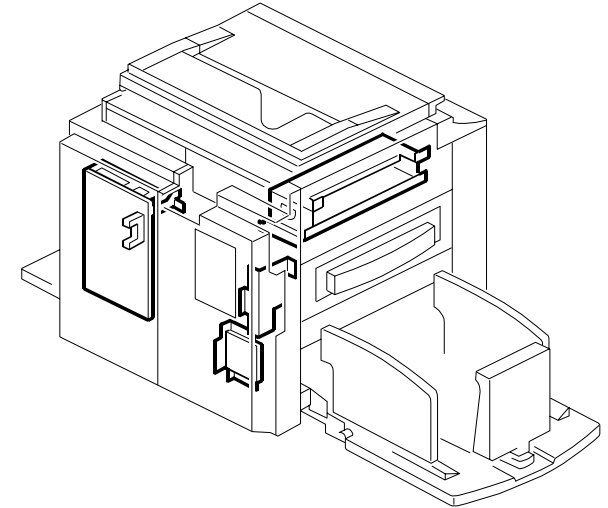
See Page 43

20. Drive Section 2 (C238)



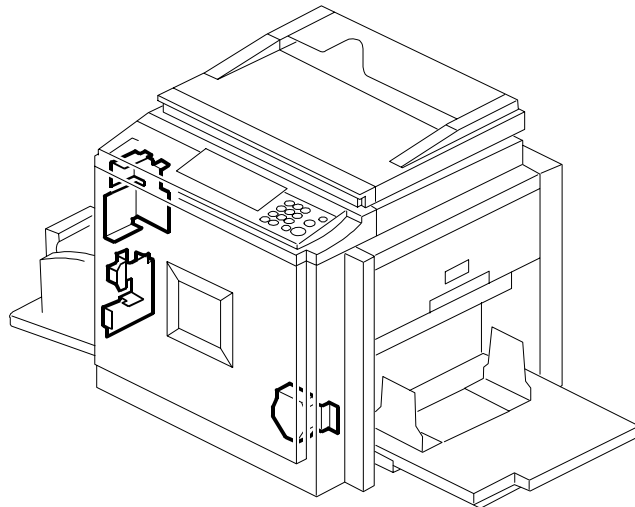
See Page 45

21. Electrical Section 1 (C238)



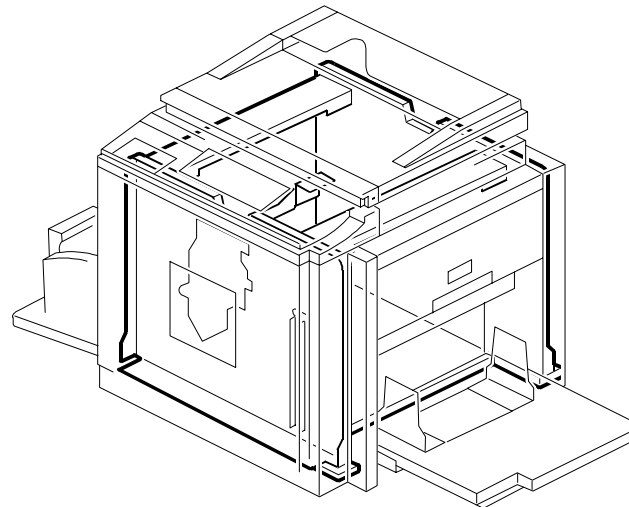
See Page 47

22. Electrical Section 2 (C238)



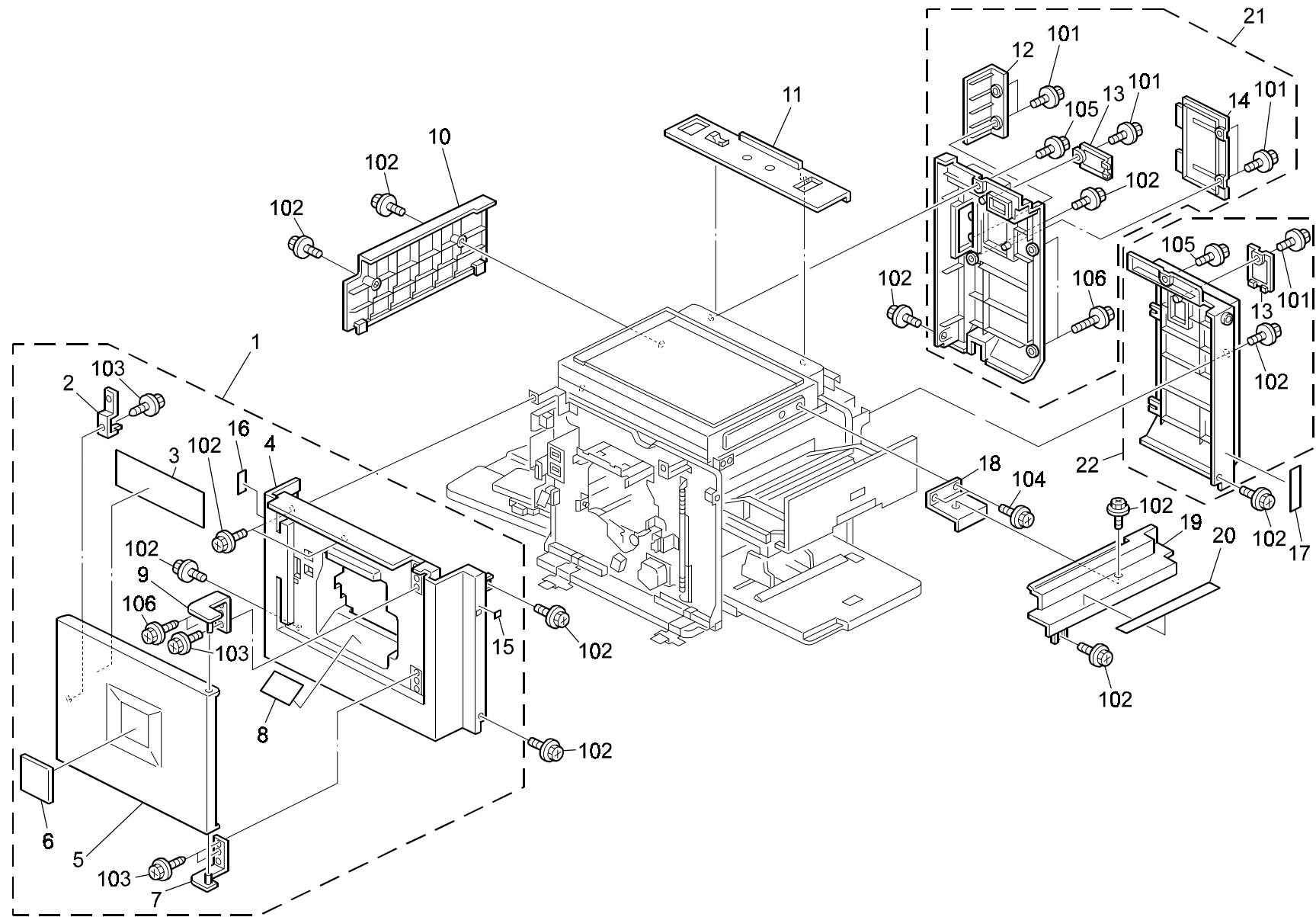
See Page 49

23. Frame Section (C238)



See Page 51

1.EXTERIOR (C238)

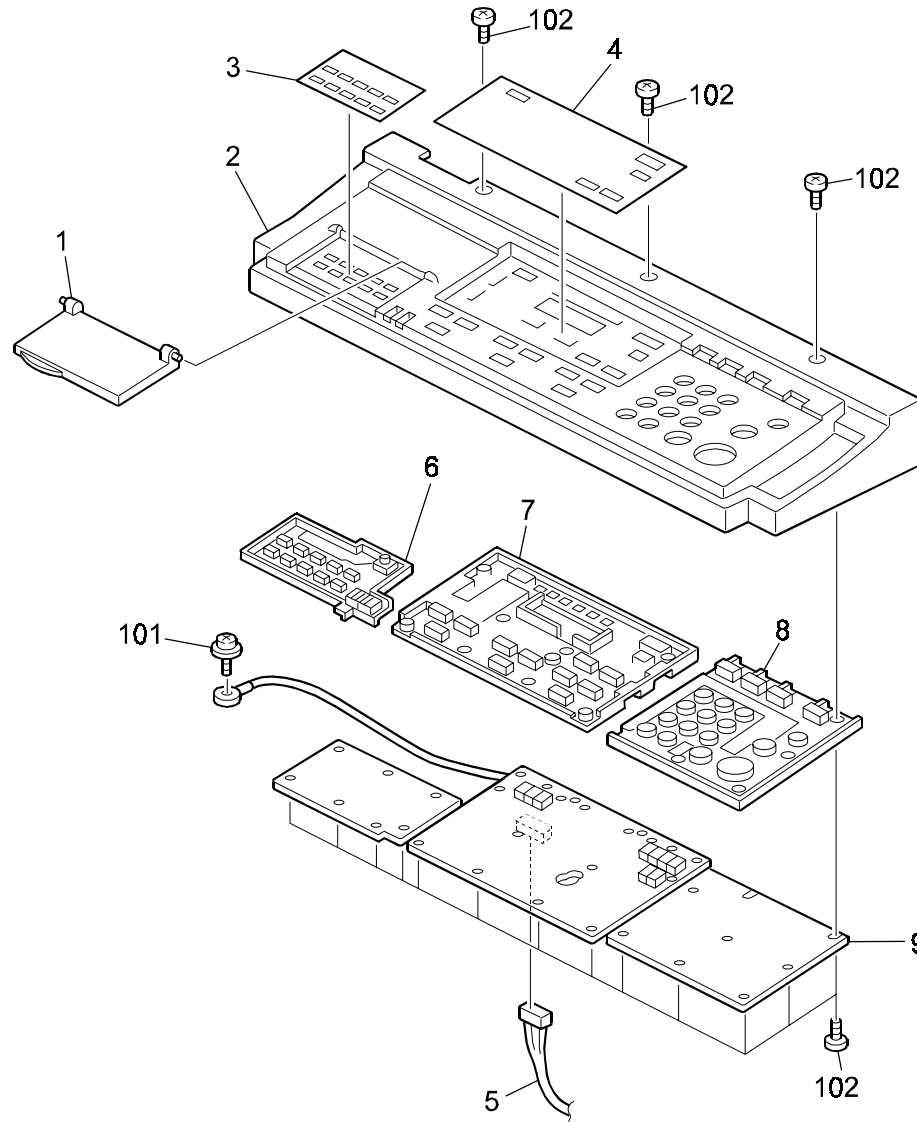


1.EXTERIOR (C238)

Index No.	Part No.	Description	Q'ty Per Assembly
1	C238 1279	Front Cover Ass'y	1
2	C238 1291	Safe Switch Bracket	1
3	C238 1301	Operation Sheet	1
4	C238 1255	Front Cover	1
5	C238 1290	Door Cover	1
6	C238 1269	Emblem Decal - RIC	1
6	C238 1320	Emblem Decal - SD370	1
6	C238 1321	Emblem Decal - GES5430	1
6	C238 1322	Emblem Decal - REX1330	1
6	C238 1323	Emblem Decal - NSA CP430	1
6	C238 1324	Emblem Decal - GES5430	1
7	C238 1391	Lower Hinge	1
8	C238 1312	Decal - Exit Pawl	1
9	C238 1390	Upper Hinge	1
10	C238 1242	Left Scanner Cover	1
11	B024 1251	Upper Rear Cover - Scanner	1
12	C238 1363	Control Unit Cap	1
13	C238 1365	Card Cap	2
14	C238 1364	Control Board Cap	1
15	C238 1352	Decal - Paper Table	1
16	C238 1314	Decal - Main Switch - CHN	1
17	C238 1359	Decal - Paper Table	1
18	C238 1385	Scanner Cover Bracket	1
19	C238 1241	Rear Scanner Cover	1
20	C238 5660	Decal - Master Set	1
21	C238 1360	Rear Cover Ass'y - Left	1
22	C238 1361	Rear Cover Ass'y - Right	1

Index No.	Part No.	Description	Q'ty Per Assembly
101	0450 3008H	Tapping Screw - M3x8	
102	0451 4008H	Tapping Screw - 4x8	
103	0450 4010B	Tapping Screw - 4x10	
104	0451 3006B	Tapping Screw - M3x6	
105	0451 3010H	Tapping Screw - 3x10	
106	0451 4012H	Tapping Screw - 4x12	

2.Operation Panel (C238)

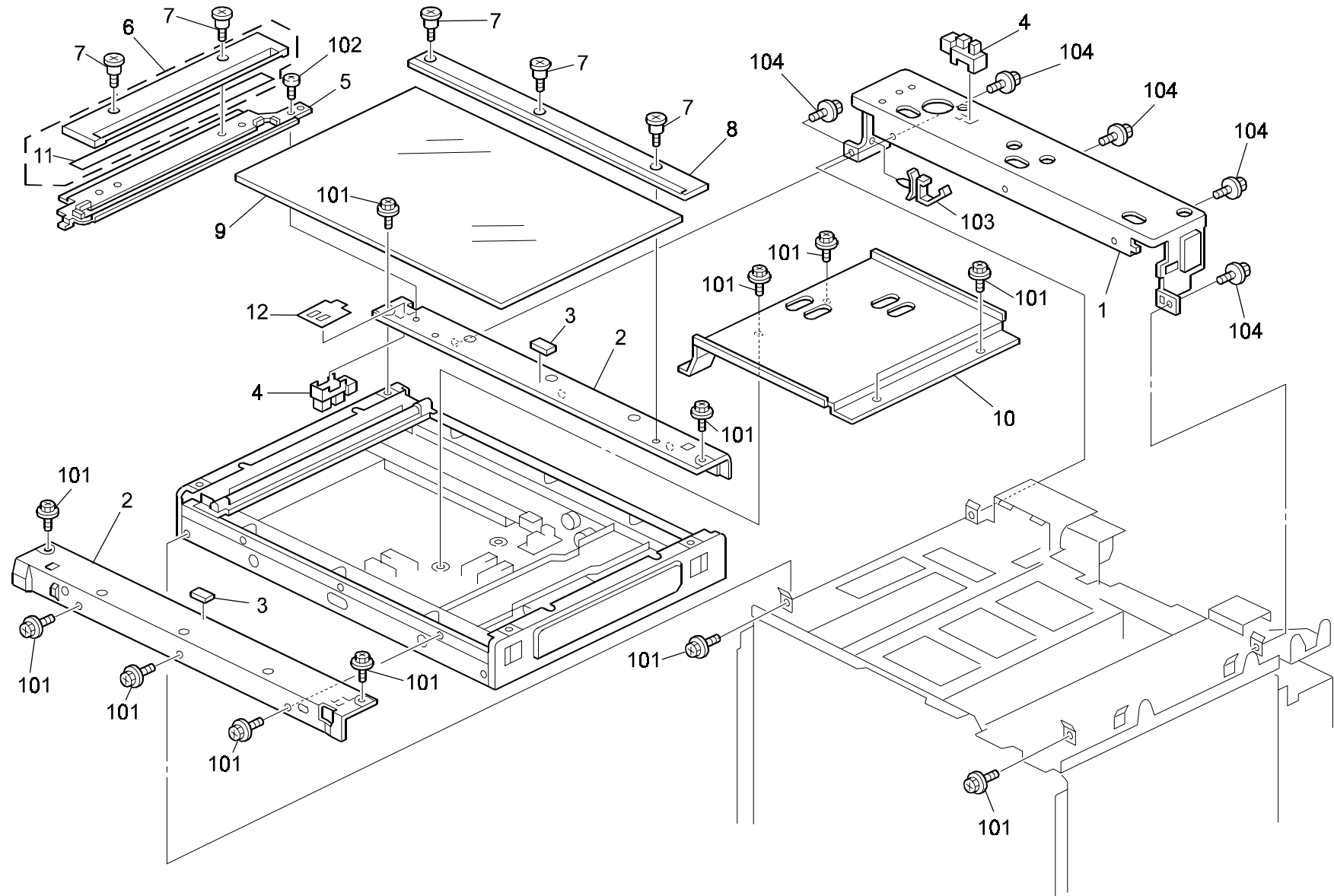


2.Operation Panel (C238)

Index No.	Part No.	Description	Q'ty Per Assembly
*	C238 1451	Operation Panel Ass'y - NA	1
*	C238 1452	Operation Panel Ass'y - EU	1
*	C238 1453	Operation Panel Ass'y - CHN	1
*	C238 1454	Operation Panel - Metric	1
1	C238 1490	Panel Cover	1
2	C238 1480	Panel Base - NA	1
2	C238 1481	Panel Base - EU	1
2	C238 1478	Panel Base - CHN	1
3	C238 1491	Left Sheet - NA	1
3	C238 1496	Left Sheet - EU	1
3	C238 1501	Left Sheet - CHN	1
4	C238 1492	Middle Sheet - NA	1
4	C238 1497	Middle Sheet - EU	1
4	C238 1502	Middle Sheet - CHN	1
4	C238 1503	Middle Sheet - Metric (-13,-23,-29,-54)	1
5	C238 5200	DC Harness	1
6	C238 1486	Left Keys	1
7	C238 1488	Center Keys	1
8	C238 1487	Right Keys	1
9	C238 5180	Operation Panel Board	1

Index No.	Part No.	Description	Q'ty Per Assembly
101	0951 3006Z	Philips Screw With Flat Washer - M3	
102	0353 0040Z	Binding Head Screw M3x4 (100pcs)	

3.Scanner Unit 1 (C238)



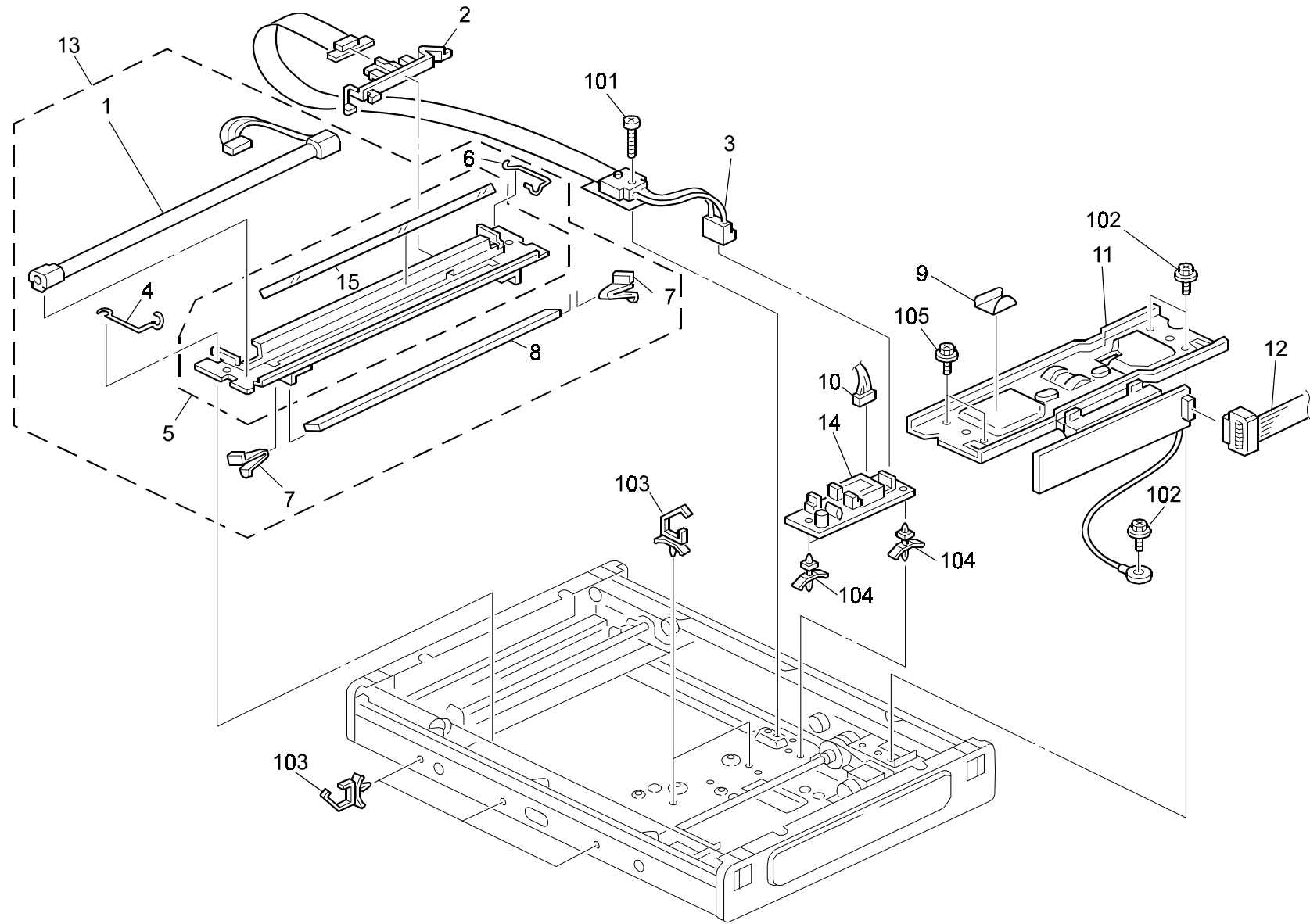
3.Scanner Unit 1 (C238)

Index No.	Part No.	Description	Q'ty Per Assembly
1	A267 1814	Hinge Bracket - Platen Cover	1
2	A267 1813	Scanner Frame	2
3	5442 1924	Exposure Glass Cushion	2
4	AW02 0086	Photointerruptor	1
5	A267 1743	Bracket - Scale	1
6	B024 1680	Left Scale	1
7	A193 1759	Stepped Screw	5
8	B024 1701	Inner Back Scale	1
9	A250 1752	Exposure Glass	1
10	A267 1815	Right Inner Cover	1
11	A193 1752	Left Scale Guide	1
12	A267 1820	Sheet - Photointerrupter	1



Index No.	Part No.	Description	Q'ty Per Assembly
101	0451 3006B	Tapping Screw - M3x6	
102	0353 0050Z	Philips Truss Head Screw - M3x5	
103	1105 0488	Harness Clamp	
104	0451 3008B	Tapping Screw - M3x8	

4.Scanner Unit 2 (C238)

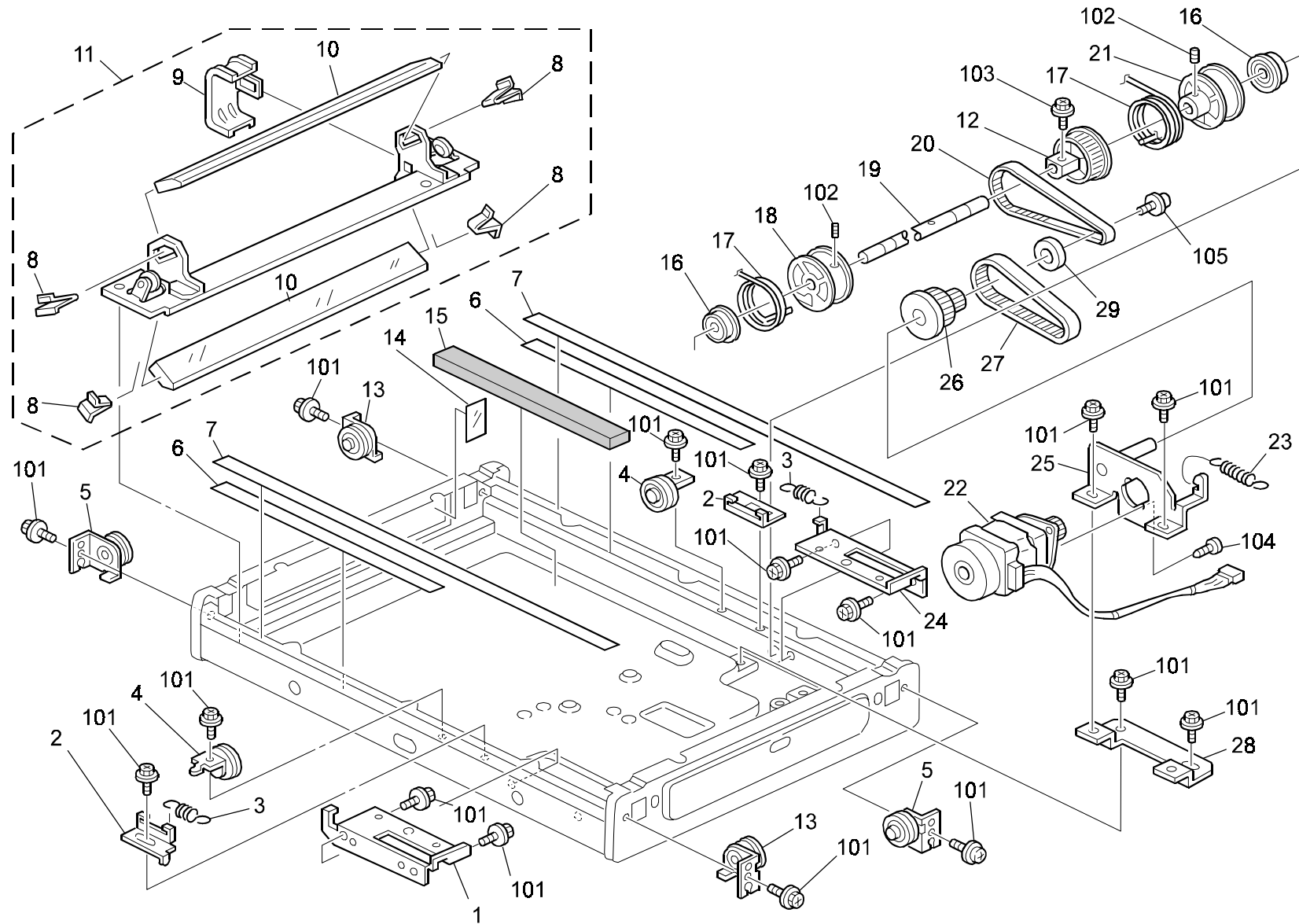


4.Scanner Unit 2 (C238)

Index No.	Part No.	Description	Q'ty Per Assembly
1	C236 1672	Xenon Lamp - 10	1
2	A267 1758	Harness Guide - Exposure Lamp	1
3	A267 5703	Flexible Cable	1
4	A193 1766	Wire Clamp	1
5	A267 1752	1st Scanner Housing	1
6	A193 1769	Clamp - Rear Wire	1
7	A193 1767	1st Mirror Holder	2
8	A250 1784	1st Mirror	1
9	C236 1719	Ground Plate - Scanner Unit	1
10	C238 5220	Scanner Harness	1
11	C236 1673	Lens Ass'y	1
12	C236 5209	SBU Harness	1
13	C236 1655	Carriage No.1 Ass'y	1
14	A250 5736	Lamp Stabilizer	1
15	A100 1714	Reflector	1

Index No.	Part No.	Description	Q'ty Per Assembly
101	0453 3014B	Tapping Screw - M3x14	
102	0802 5276	Tapping Screw With Washer - M3x6	
103	1105 0460	Clamp	
104	1105 0195	PCB Stud	
105	0451 3006B	Tapping Screw - M3x6	

5.Scanner Unit 3 (C238)

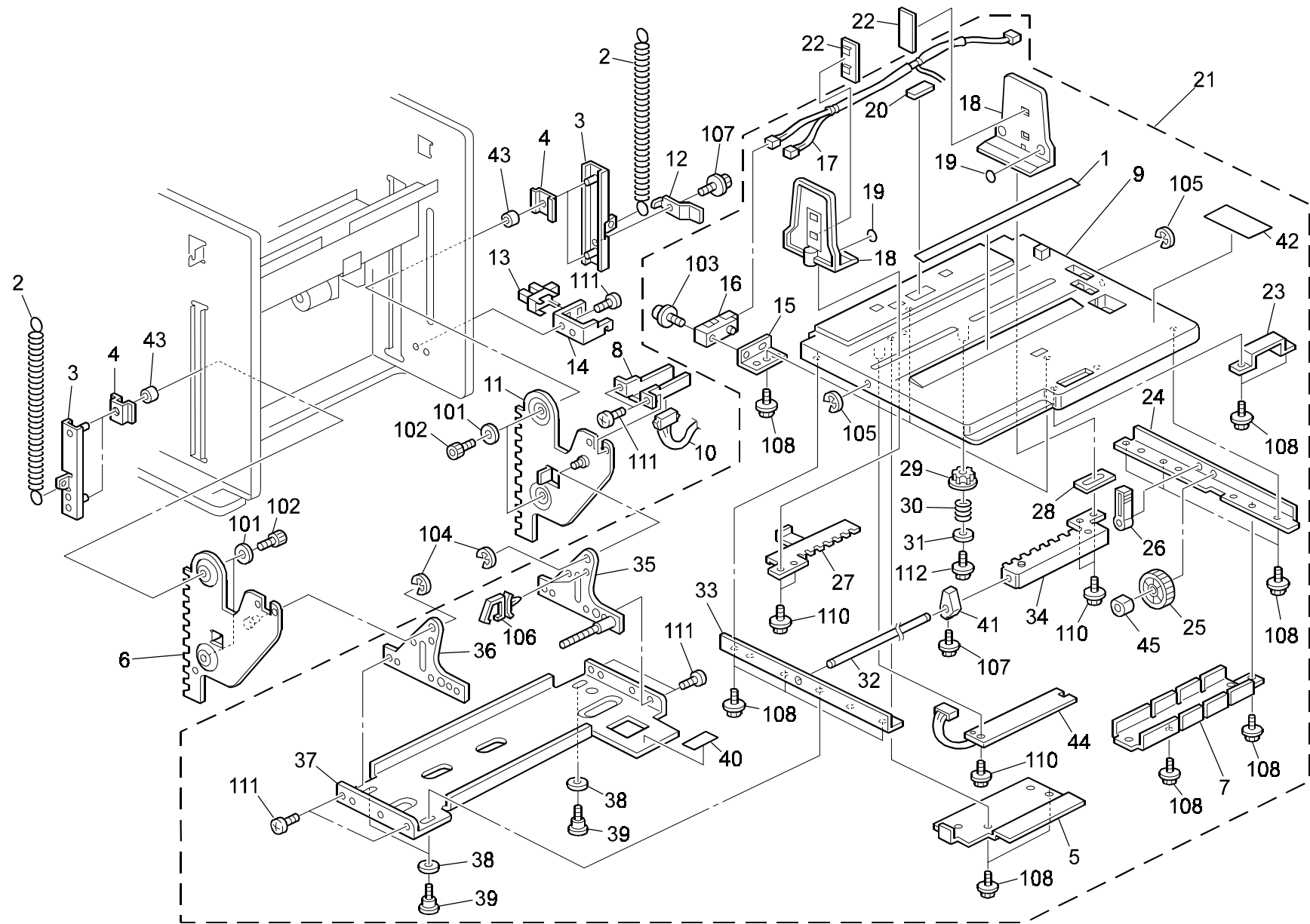


5.Scanner Unit 3 (C238)

Index No.	Part No.	Description	Q'ty Per Assembly
1	A267 1811	Front Stay Bracket	1
2	A267 1849	Tension Bracket	2
3	A193 1783	Tension Spring	2
4	A267 1846	Idler Bracket	2
5	A267 1853	Pulley - Front Left	2
6	A267 1817	Slide Rail - 2	2
7	A193 1816	Slide Rail	2
8	A267 1777	Mirror Holder	4
9	A267 1776	Guide - FPC	1
10	AC03 0123	3rd Mirror	2
11	A267 1671	Carriage - No.2 Ass'y	1
12	AB03 0630	Timing Pulley - 60T	1
13	A267 1854	Pulley - Rear Left	2
14	A267 1819	Insulating Sheet - Side Plate	1
15	A267 1816	Guide - Flexible Board	1
16	A193 1829	Ball Bearing - M8	2
17	AA05 0107	Scanner Wire	2
18	AB03 2066	Front Pulley - Wire Drive	1
19	A267 1825	Scanner Drive Shaft	1
20	C236 1822	Timing Belt - B60S2M186	1
21	AB03 2067	Rear Pulley - Wire Drive	1
22	C236 1825	Stepper Motor - Ass'y	1
23	C236 1816	Tension Spring 8215mn	1
24	A267 1812	Rear Stay Bracket	1
25	C236 1817	Motor Bracket	1
26	C236 1812	Pulley - Slow Down Ass'y	1
27	C236 1821	Timing Belt - B60S2M140	1
28	C236 1815	Stepper Motor Base	1
29	C236 1829	Slow Down Flange - MM15	1

Index No.	Part No.	Description	Q'ty Per Assembly
101	0451 3006B	Tapping Screw - M3x6	
102	0575 0050E	Hexagon Headless Set Screw - M5x5	
103	0451 3008B	Tapping Screw - M3x8	
104	0313 0050B	Philips Pan Head Screw - M3x5	
105	0951 3006Z	Philips Screw With Flat Washer - M3	

6.Paper Table Section (C238)

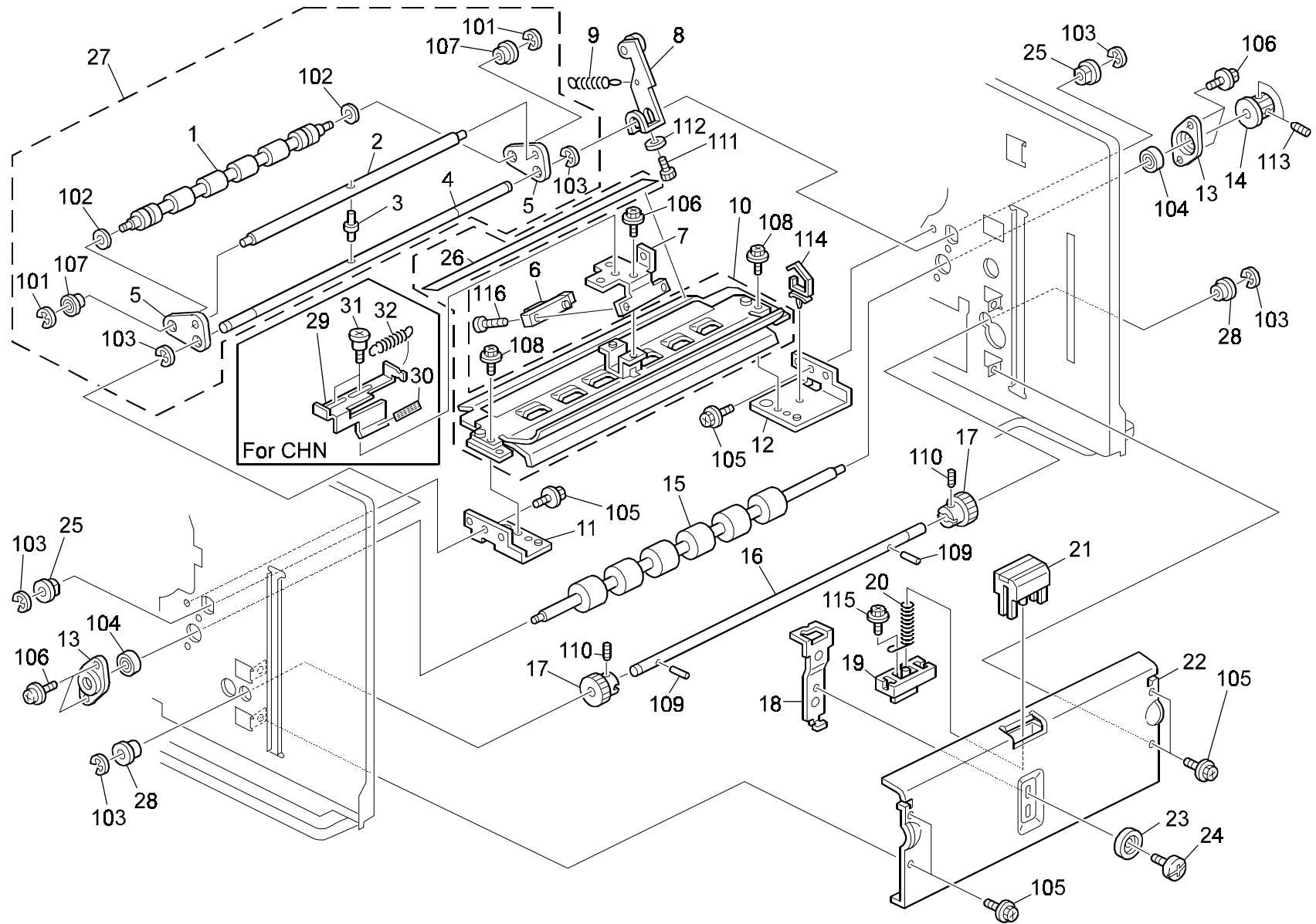


6.Paper Table Section (C238)

Index No.	Part No.	Description	Q'ty Per Assembly
1	C238 2998	Decal - Paper Size	1
2	C238 2779	Paper Tray Spring	2
3	C238 2800	Tray Lift Bracket	2
4	C238 2805	Tray Lift Slider	4
5	C238 2956	Tray Cover	1
6	C238 2790	Front Tray Rack	1
7	C238 2957	Sensor Cover	1
8	C238 2793	Paper Size Sensor Stay	1
9	C238 2950	Paper Feed Tray	1
10	C238 5237	Paper Tray Harness	1
11	C238 2796	Rear Tray Rack	1
12	C238 2806	Tray Position Feeler	1
13	AW02 0075	Photointerrupter	1
14	C238 2825	Sensor Bracket	1
15	C238 2986	Sensor Bracket - Paper Feed Tray	1
16	AW01 0076	Photosensor - PS-117D1	1
17	C238 5236	Harness - Paper Feed Tray	1
18	C238 2980	Side Fence	2
19	C201 5015	Seal - M10	2
20	C229 2840	Pad	1
21	C238 2700	Paper Feed Tray	1
22	C238 2771	Paper Plate Pad	2
23	C231 2990	Magnet Catch Holder	1
24	C238 2952	Rear Stay	1
25	C238 2964	Tray Adjuster	1
26	C238 2973	Lock Knob	1
27	C238 2976	Front Side Fence Rack	1
28	C238 2983	Side Fence Spacer	1
29	C238 2987	Side Fence Gear	1
30	C231 2985	Spring	1
31	C209 6168	End Fence Washer	1
32	C238 2970	Lock Shaft	1
33	C238 2951	Front Stay	1
34	C238 2981	Rear Side Fence Rack	1
35	C238 2961	Rear Arm	1

Index No.	Part No.	Description	Q'ty Per Assembly
36	C238 2960	Front Arm	1
37	C238 2954	Tray Base	1
38	C231 2976	Washer	3
39	5219 1957	Stepped Screw - M4	3
40	C238 2997	Decal - Scale	1
41	C231 2971	Lock Cam	1
42	C238 2996	Decal - Paper Set	1
43	5606 2310	Roller	2
44	C229 5155	Paper Size Sensor Board	1
45	C231 2965	Core	1
101	0701 0040Z	Flat Washer - M4	
102	0594 0080E	Bolt - M4x8	
103	0951 3012B	Philip Screw With Flat Washer - M3x12	
104	0720 0060E	Retaining Ring - M6	
105	0720 0040E	Retaining Ring - M4	
106	1105 0516	Clamp	
107	0451 3006B	Tapping Screw - M3x6	
108	0450 4008B	Tapping Screw - 4x8	
109	0451 4006B	Tapping Screw - 4x6	
110	0450 3006B	Tapping Screw - M3x6	
111	0314 0040B	Philips Pan Head Screw - M4x4	
112	0450 3008B	Tapping Screw - M3x8	

7.Paper Feed Section (C238)

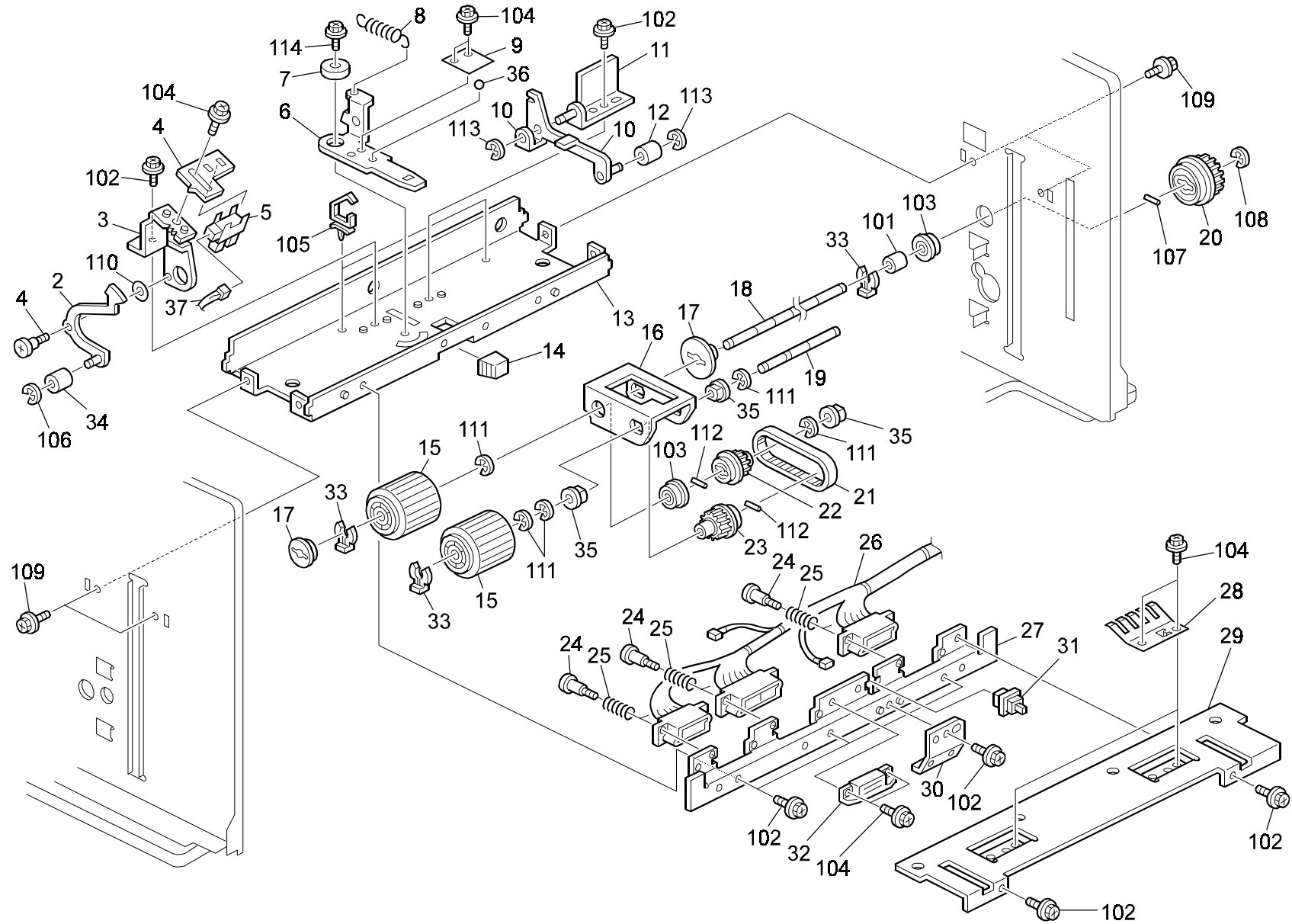


7.Paper Feed Section (C238)

Index No.	Part No.	Description	Q'ty Per Assembly
1	C238 2894	Upper Registration Roller	1
2	C238 2898	Upper Registration Shaft1	1
3	C231 2766	Pressure Pin	1
4	C238 2900	Upper Registration Shaft2	1
5	C238 2893	Upper Registration Arm	2
6	C229 5807	Photosensor - GP2A25	1
7	C238 2921	Registration Sensor Bracket	1
8	C238 2922	Registration Roller Follower	1
9	C238 2901	Registration Pressure Spring	1
10	C238 2909	Guide Plate	1
11	C238 2887	Front Guide Plate Bracket	1
12	C238 2889	Rear Guide Plate Bracket	1
13	C201 4665	Bearing Holder	2
14	C229 2907	Registration Roller Pulley - 14Z	1
15	C238 2904	Lower Registration Roller	1
16	C238 2781	Paper Tray Shaft	1
17	C201 5051	Pinion - 24t	2
18	C238 2875	Separation Adjuster	1
19	C238 2877	Separation Spring Holder	1
20	C238 2878	Separation Spring	1
21	C238 2845	Separation Pad	1
22	C238 2871	Paper Separation Stay	1
23	C238 2874	Screw Holder	1
24	C238 2873	Adjusting Screw	1
25	5053 0419	Bushing - 10mm	2
26	C238 2914	Guide Plate Sheet	1
27	C238 2891	Upper Registration Roller Ass'y	1
28	C203 5135	Bushing - 10x14x5.9	2
29	C238 2855	Sensor Cleaning Lever (CHN)	1
30	C238 2856	Sensor Cleaning Brush (CHN)	1
31	C236 2844	Stepped Screw (CHN)	1
32	C238 2853	Sensor Cleaning Spring (CHN)	1

Index No.	Part No.	Description	Q'ty Per Assembly
101	0720 0040E	Retaining Ring - M4	
102	0701 0060Z	Flat Washer - M6	
103	0720 0080E	Retaining Ring - M8	
104	0740 3908	Ball Bearing - 8x19x6	
105	0451 4006B	Tapping Screw - 4x6	
106	0451 3006B	Tapping Screw - M3x6	
107	0741 3706	Ball Bearing - 6x10x3	
108	0451 4008W	Tapping Screw - M4x8	
109	0624 0160E	Spring Pin - 4x16mm	
110	0574 0040E	Hexagon Headless Set Screw - M4x4	
111	0594 0080E	Bolt - M4x8	
112	0701 0040Z	Flat Washer - M4	
113	0574 0050E	Hexagon Headless Set Screw - M4x5	
114	1105 0511	Harness Clamp - LWS-0306ZC	
115	0450 3006B	Tapping Screw - M3x6	
116	0453 3006B	Tapping Screw - M3x6	

8.Paper Registrartion (C238)

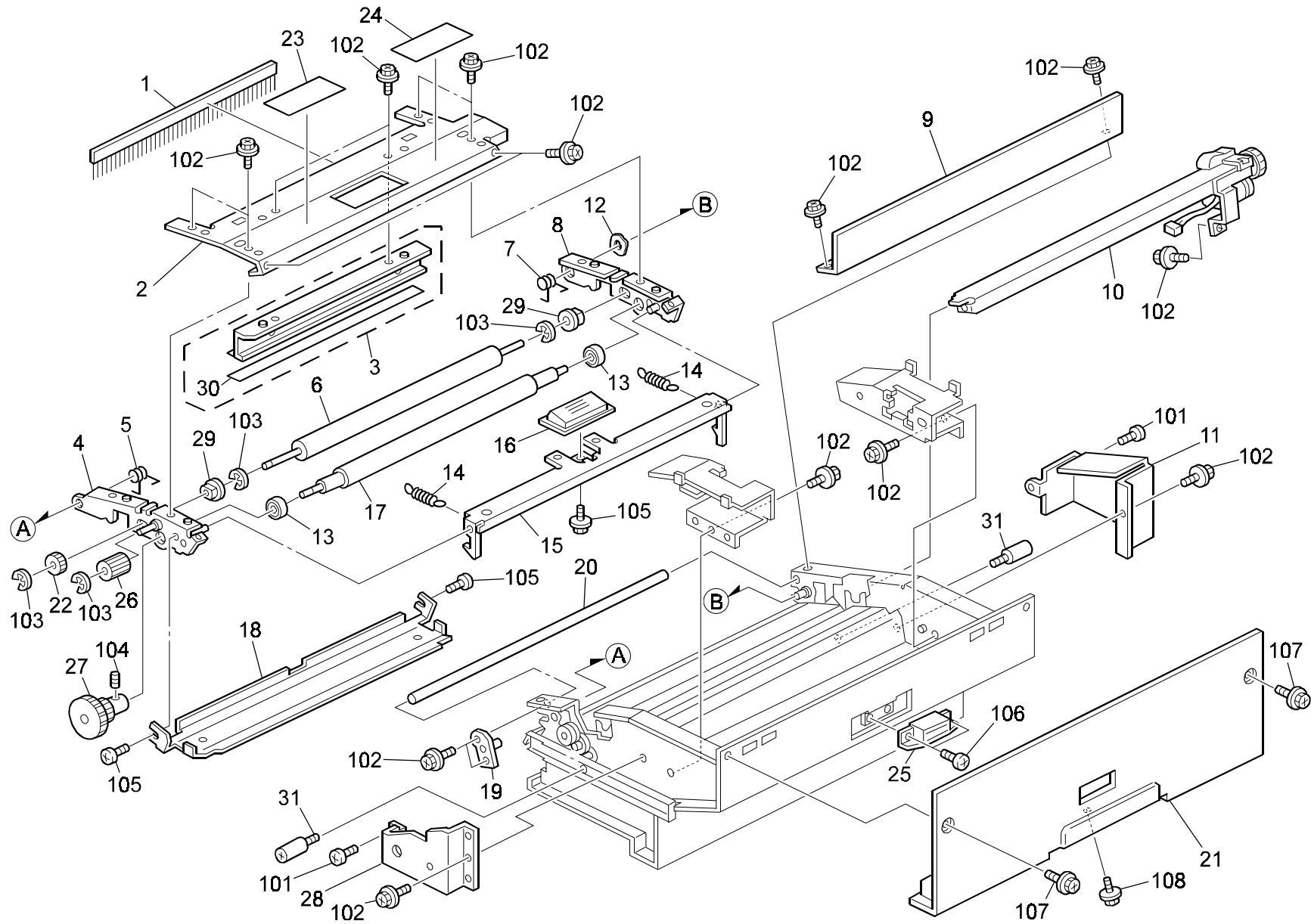


8.Paper Registration (C238)


Index No.	Part No.	Description	Q'ty Per Assembly
1	AA14 3402	Screw - SCALE	1
2	C238 2861	Paper Actuator	1
3	C238 2865	Retainer	1
4	C238 2867	Paper Sensor Bracket	1
5	AW02 0075	Photointerruptor	1
6	C238 2928	Paper Pressure Lever	1
7	C209 5220	Spacer - 4x20x6	1
8	C238 2939	Spring	1
9	C238 2929	Spring Plate	1
10	C238 2931	Paper Pressure Arm	1
11	C238 2936	Arm Bracket	1
12	C238 2935	Paper Pressure Roller	2
13	C238 2992	Paper Feed Stay	1
14	C238 2932	Lever Knob	1
15	C238 2835	Paper Feed Roller	2
16	C238 2832	Feed Arm	1
17	C238 2842	Spacer	2
18	C238 2839	Feed Drive Shaft	1
19	C229 2838	Pick-up Roller Shaft	1
20	C229 2947	Drive Pulley - Paper Separation	1
21	C229 2949	Timing Belt - 75-MXL-64	1
22	C238 2946	Paper Feed Drive Gear	1
23	C238 2947	Pick-up Pully	1
24	AA14 3120	Stepped Screw - M3x3	6
25	AA06 3163	Connector Spring	6
26	C238 5210	Plotter Relay Harness	1
27	C238 2993	Harness Bracket	1
28	A267 1089	Grounding Plate - Upper Rear	2
29	C238 2994	Harness Cover	1
30	C238 2851	Arm Stopper	1
31	AW50 0012	Push Switch	1
32	5054 0536	Magnet Catch Ass'y	1
33	C209 3133	Retaining Ring - M6	3
34	C238 2864	Paper Sensor Roller	1
35	5053 0223	Bushing - 8mm	3

Index No.	Part No.	Description	Q'ty Per Assembly
36	5501 8195	Steel Ball 3/16,	1
37	C238 5212	Paper Sensor Harness	1
101	0707 8100B	Bushing - M8x10	
102	0451 4006B	Tapping Screw - 4x6	
103	0805 3368	Ball Bearing - 8x16x5mm	
104	0451 3006B	Tapping Screw - M3x6	
105	1105 0490	Harness Clamp - IWS-2218	
106	0720 0030E	Retaining Ring - M3	
107	0633 0140G	Parallel Pin - 3x14	
108	0720 0060E	Retaining Ring - M6	
109	0451 4008W	Tapping Screw - M4x8	
110	0701 0030Z	Flat Washer - M3	
111	0720 0050Z	Retaining Ring - M5	
112	0633 0140G	Parallel Pin - 3x14	
113	0720 0040E	Retaining Ring - M4	
114	0451 4012B	Tapping Screw - 4x12	

9. Plotter Unit 1 (C238)

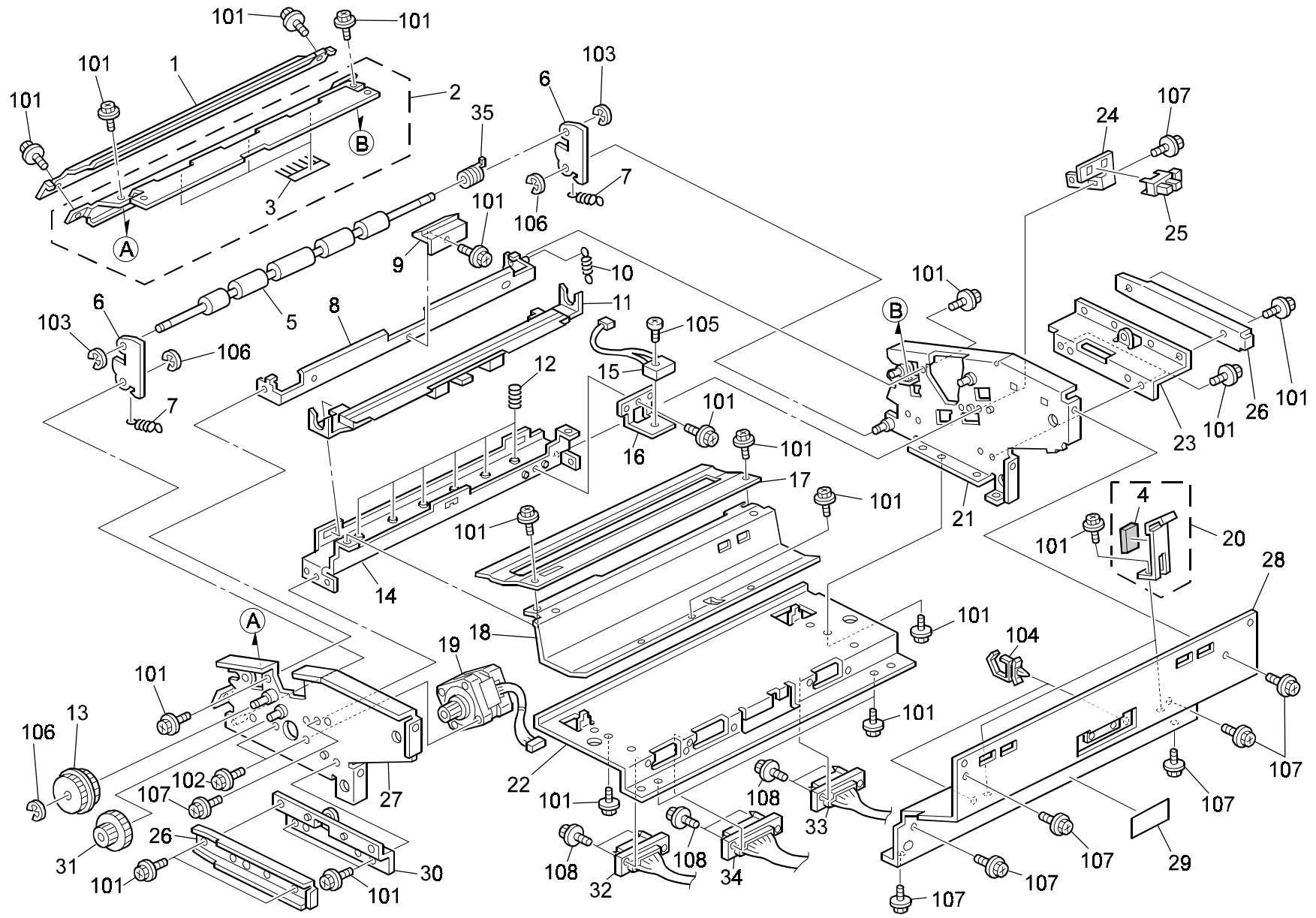


9.Plotter Unit 1 (C238)

Index No.	Part No.	Description	Q'ty Per Assembly
1	C238 2281	Antistatic Brush	1
2	C238 2045	Plotter Cover	1
3	C238 2046	T/H Guide Plate	1
4	C238 2040	Plotter Cover Side Plate - Front	1
5	C238 1962	Front Spring	1
6	C238 2112	Tension Roller - A3	1
7	C238 1961	Rear Spring	1
8	C238 2030	Plotter Cover Side Plate - Rear	1
9	C238 1956	Guide Plate	1
10	C229 2211	Cutter Unit	1
11	C238 2177	Rear Plotter Cover	1
12	C217 5102	Spring Washer	1
13	C238 2106	Ball Bearing - 6x13x5mm	2
14	C238 2039	Lever Spring	2
15	C238 2036	Release Lever	1
16	C238 2037	Lever Knob	1
17	C238 2104	Platen Roller - A3	1
18	C238 2108	Lower Cover	1
19	C238 1950	Joint Pin	1
20	C238 1955	Joint Shaft	1
21	C238 2132	Plotter Cover	1
22	C231 2148	Tension Roller Gear	1
23	C238 1971	Decal - Left Hand	1
24	C238 1972	Decal - Right Hand	1
25	5054 0536	Magnet Catch Ass'y	1
26	C231 2147	Idler Gear	1
27	C231 2146	Platen Roller Gear	1
28	C238 2178	Front Plotter Cover	1
29	H012 1181	Bushing- 6mm	2
30	C238 2048	Guide Sheet	1
31	C229 1994	Middle Rail Stopper Ass'y	2
			

Index No.	Part No.	Description	Q'ty Per Assembly
101	0313 0040B	Philips Pan Head Screw - M3x4	
102	0451 3006B	Tapping Screw - M3x6	
103	0720 0040E	Retaining Ring - M4	
104	0574 0040E	Hexagon Headless Set Screw - M4x4	
105	0450 3006B	Tapping Screw - M3x6	
106	0314 0060B	Philips Pan Head Screw - M4x6	
107	0451 4008H	Tapping Screw - 4x8	
108	0451 3006H	Tapping Screw - 3x6	

10.Plotter Unit 2 (C238)

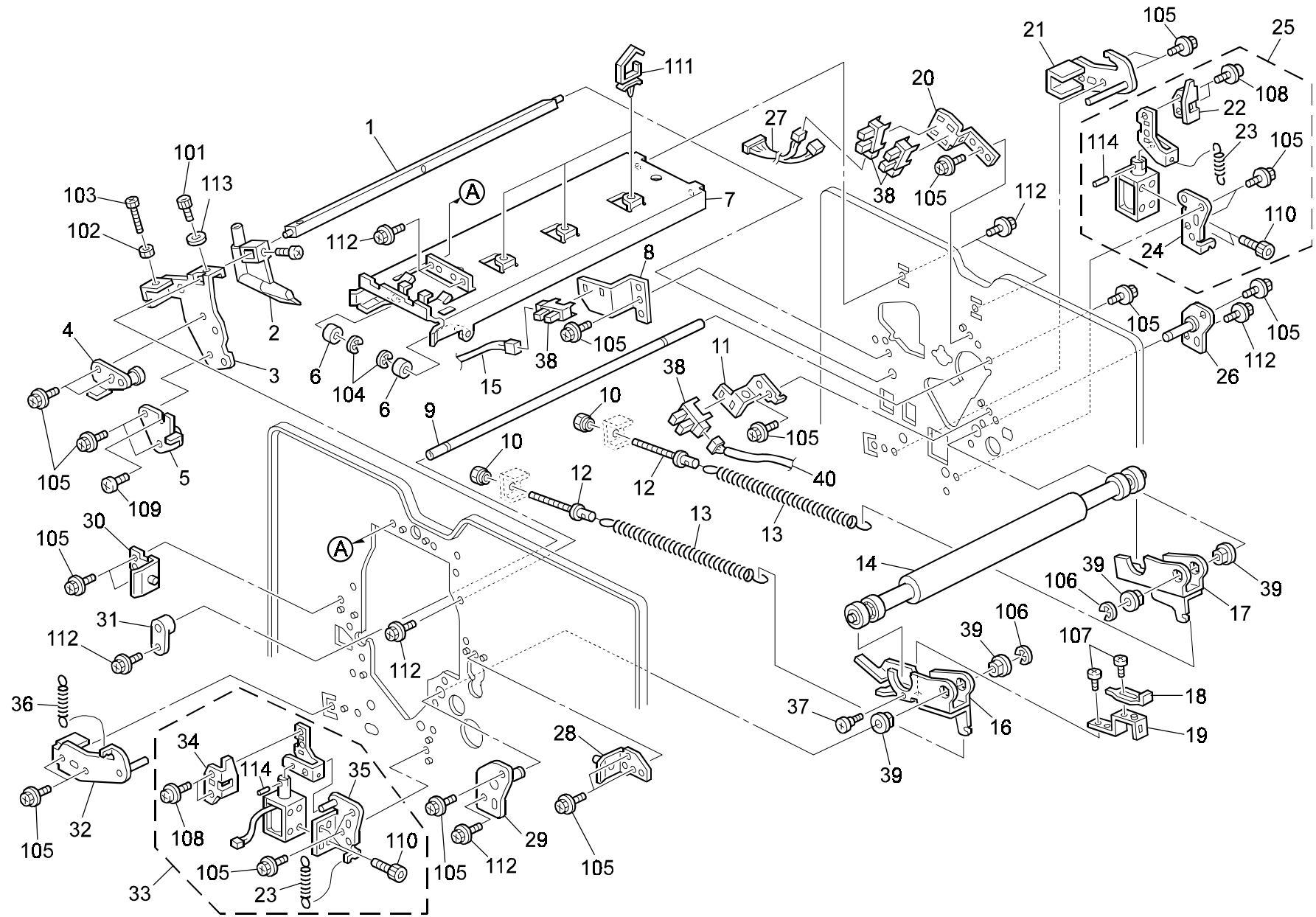


10.Plotter Unit 2 (C238)

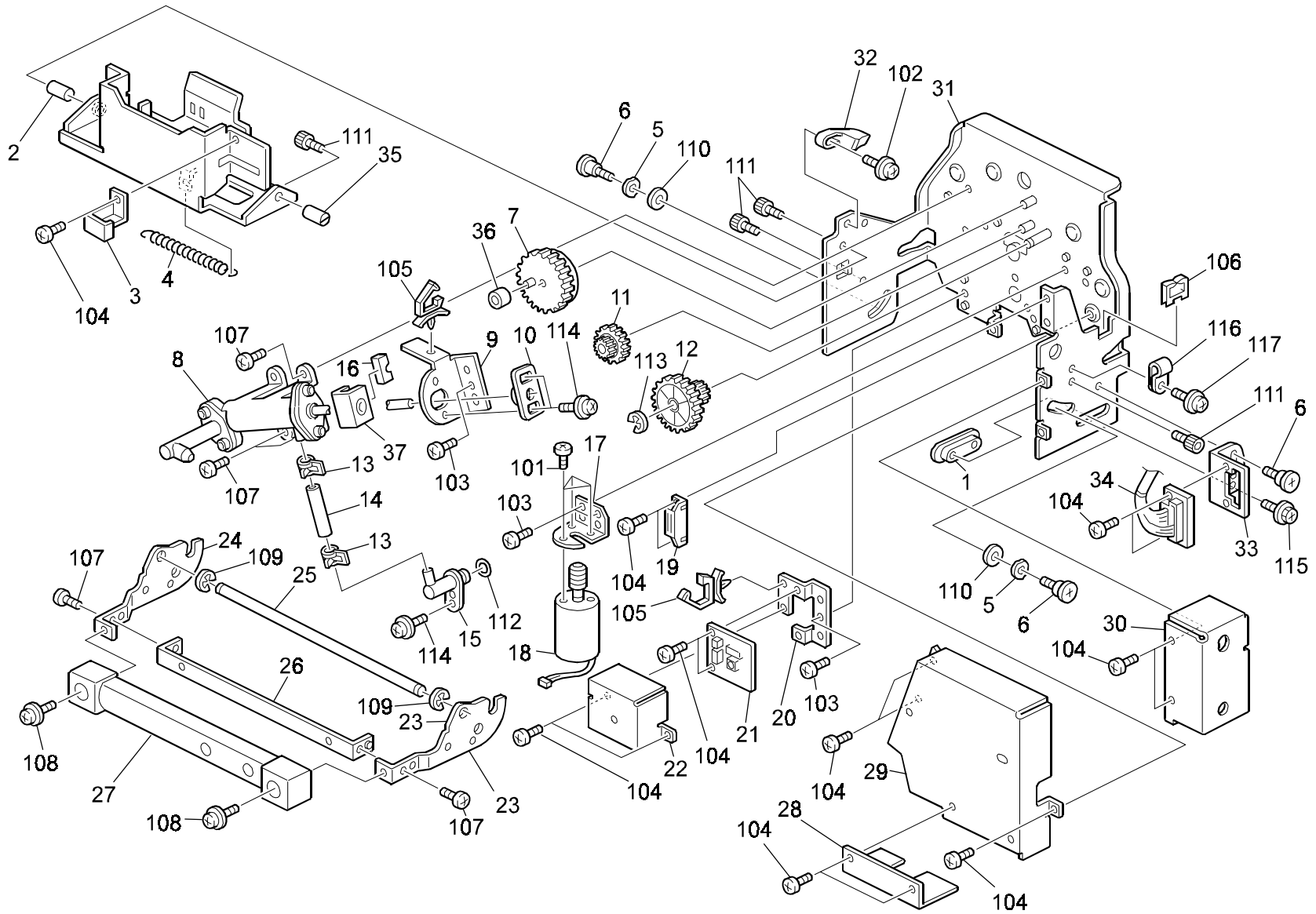
Index No.	Part No.	Description	Q'ty Per Assembly
1	C238 2085	Lower Brake Guide Plate	1
2	C238 2082	Upper Brake Guide Plate	1
3	C238 2283	Antistatic Brush	3
4	C231 2234	Brake Pad	1
5	C238 2076	Brake Roller	1
6	C238 2063	Brake Lever	2
7	C238 2065	Brake Roller Spring	2
8	C238 2052	Master Position Bracket	1
9	C238 2055	Master Position Plate	1
10	C238 2054	Position Spring	1
11	C238 2151	Thermal Head - A3	1
12	C238 2157	Thermal Head Spring	6
13	C231 2135	Platen Gear - 2	1
14	C238 2026	Thermal Head Base	1
15	C229 5825	Master Sensor	1
16	C238 2277	Master Sensor Bracket	1
17	C238 2093	Thermal Head Guide	1
18	C238 2095	Master Guide Plate	1
19	C238 5841	Stepper Motor - DC3.7V	1
20	C238 2230	Brake Shoe	1
21	C238 2010	Plotter Rear Plate	1
22	C238 2024	Plotter Base - 1	1
23	C238 2160	Rear Slide Rail	1
24	C238 2273	Cover Sensor Bracket	1
25	AW02 0075	Photointerrupter	1
26	C229 1992	Slide Rail	2
27	C238 2020	Plotter Front Plate	1
28	C238 2025	Plotter Base - 2	1
29	C238 2942	Decal - Paper Pressure - NA	1
29	C238 2940	Decal - Paper Pressure - CHN	1
30	C238 2170	Front Slide Rail	1
31	C238 2133	Platen Gear - 1	1
32	C238 5246	Thermal Head DC Harness	1
33	C238 5248	Plotter Harness	1
34	C238 5247	Thermal Head Data Harness	1

Index No.	Part No.	Description	Q'ty Per Assembly
35	C238 2078	Brake Roller Shoe	1
101	0451 3006B	Tapping Screw - M3x6	
102	0313 0060B	Philips Pan Head Screw - M3x6	
103	0720 0030E	Retaining Ring - M3	
104	1105 0508	Harness Clamp - LWS-0711	
105	0242 0080Z	Screw - M2X8	
106	0720 0040E	Retaining Ring - M4	
107	0451 3008W	Tapping Screw M3x8	
108	0451 3008B	Tapping Screw - M3x8	

11.Press Roller Section (C238)




12.Drum Unit 1 (C238)

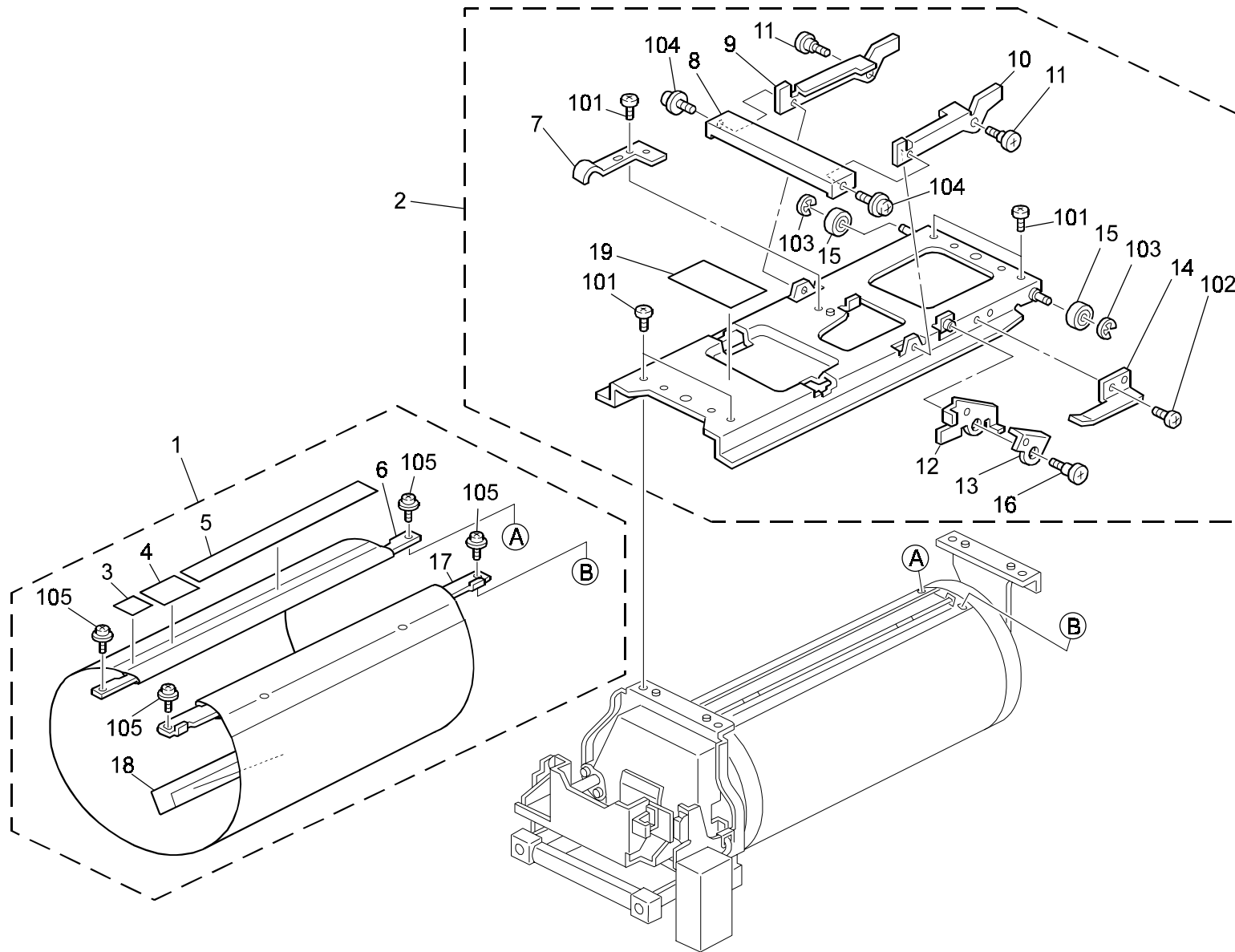


12.Drum Unit 1 (C238)

Index No.	Part No.	Description	Q'ty Per Assembly
1	C238 2574	Slider	1
2	C238 2556	Left Shaft - Holder	1
3	C238 2559	Ink Holder Grip	1
4	C238 2546	Ink Holder Spring	1
5	C217 5102	Spring Washer	2
6	C238 2573	Stepped Screw	2
7	C238 2534	Pump Drive Gear	1
8	C238 2529	Ink Pump - 600	1
8	C608 2529	Ink Pump - Color Drum	1
9	C238 2521	Pump Slider Bracket	1
10	C200 4814	Bushing - 6x10x55mm	1
11	C238 2535	Pump Drive Ralay Gear	1
12	C238 2536	Pump Motor Gear	1
13	C209 4713	Hose Band	2
14	C238 2533	Ink Tube	1
15	C238 2543	Tube Joint	1
16	C238 2438	Retainer Bushing	1
17	C238 2532	Pump Motor Bracket	1
18	C238 5803	DC Motor - 7.2W MM34	1
19	5054 0536	Magnet Catch Ass'y	1
20	C238 2549	Board Bracket	1
21	C238 5140	Ink Borad	1
22	C238 2547	Board Cover	1
23	C238 2510	Right Arm	1
24	C238 2511	Left Arm	1
25	C238 2513	Arm Shaft	1
26	C238 2514	Grip Bracket	1
27	C238 2512	Lower Drum Grip	1
28	C238 2562	Motor Cover	1
29	C238 2548	Pump Cover	1
30	C238 2541	Harness Cover	1
31	C238 2519	Front Drum Side Plate	1
32	C238 2526	Ink Holder Cam	1
33	C238 2538	Connector Bracket	1
34	C238 5250	Drum Harness	1

Index No.	Part No.	Description	Q'ty Per Assembly
35	C238 2557	Right Shaft - Holder	1
36	C229 2525	Bushing - Pump Drive Gear	1
37	C238 2427	Pump Drive Slider	1
			
101	0353 0040B	Screw - M3x4	
102	0951 4010Z	Philips Screw With Flat Washer - M4x10	
103	0314 0040B	Philips Pan Head Screw - M4x4	
104	0353 0050B	Philips Truss Head Screw - M3x5	
105	1105 0516	Clamp	
106	1105 0518	Edge Saddle - LES-1010	
107	0354 0060B	Screw - M4X6	
108	0801 0103	Screw - M4X8	
109	0720 0060E	Retaining Ring - M6	
110	0807 4043	Spacer	
111	0594 0080B	Hexagon Hole Bolt - M4x8	
112	0808 0021	Rubber Ring	
113	0720 0050E	Retaining Ring - M5	
114	0951 4006Z	Philips Screw With Flat Washer - M4	
115	0450 4006B	Tapping Screw - 4x6	
116	1105 0005	Nylon Clamp - 3N	
117	0951 3006Z	Philips Screw With Flat Washer - M3	

13.Drum Unit 2 (C238)

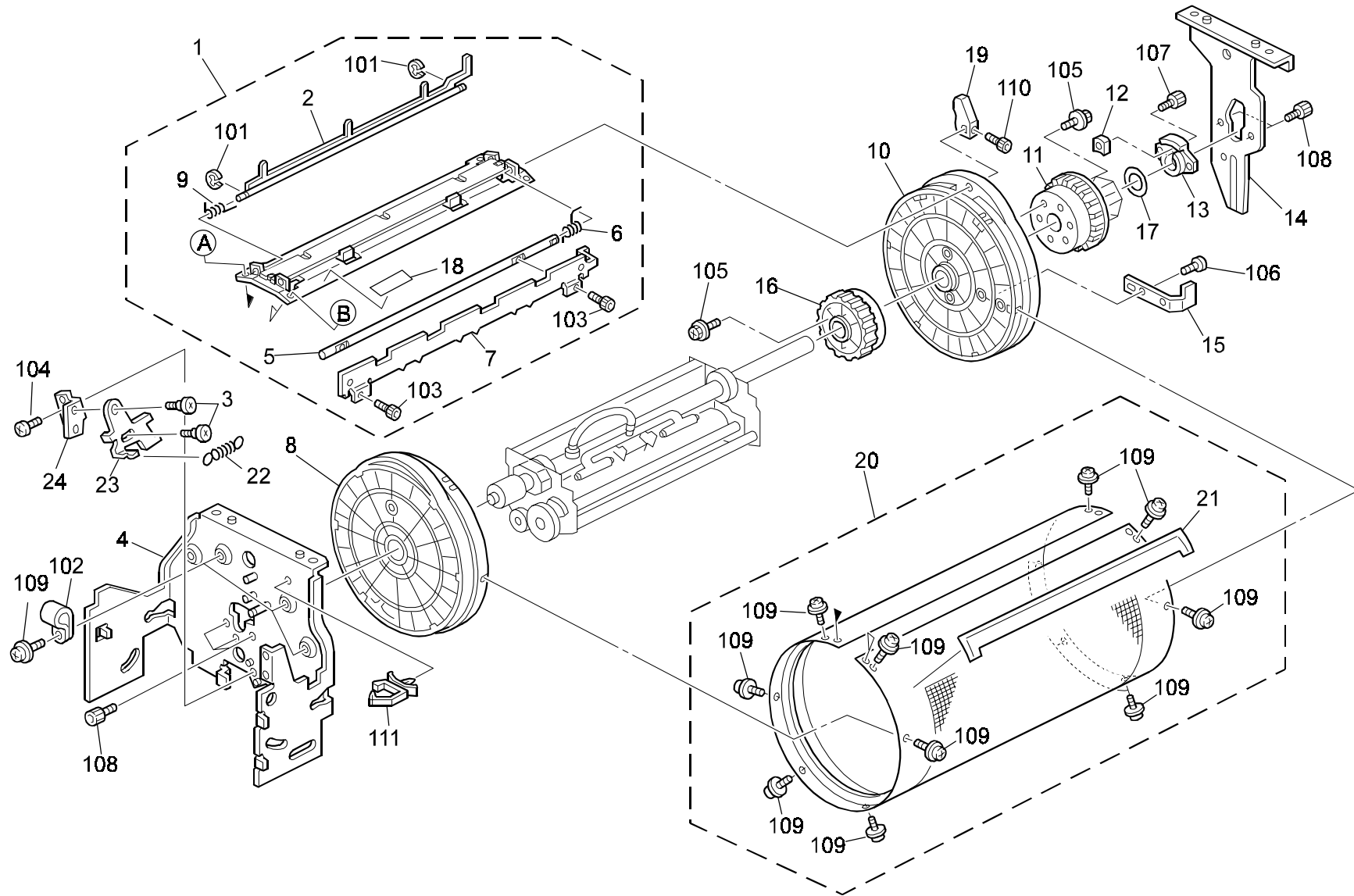


13.Drum Unit 2 (C238)

Index No.	Part No.	Description	Q'ty Per Assembly
1	C238 2304	Cloth Screen - A3	1
1	C609 2382	Cloth Screen - A4	1
2	C238 2507	Drum Frame Ass'y	1
3	C238 2386	Small Sandpaper	1
4	C238 2390	Drum Sensor Sheet	1
5	C238 2383	Large Sandpaper	1
6	C238 2388	Screen Holder 1	1
7	C229 2394	Spring Plate	1
8	C238 2552	Drum Grip	1
9	C238 2524	Left Drum Grip	1
10	C238 2525	Right Drum Grip	1
11	C238 2585	Screw Mm6x1.7	2
12	C229 2391	Stopper Bracket	1
13	C229 2392	Stopper Guide	1
14	C229 2396	Spring Plate	1
15	C201 4604	Drum Rail Roller	2
16	C229 2390	Stepped Screw	1
17	C238 2389	Screen Holder 2	1
18	C238 2384	Cloth Screen Mylar	1
19	C238 2553	Decal - Drum	1

Index No.	Part No.	Description	Q'ty Per Assembly
101	0354 0060B	Screw - M4X6	
102	0353 0050B	Philips Truss Head Screw - M3x5	
103	0720 0040E	Retaining Ring - M4	
104	0801 0103	Screw - M4X8	
105	0951 3008Z	Philips Screw With Flat Washer - M3	

14. Drum Unit 3 (C238)

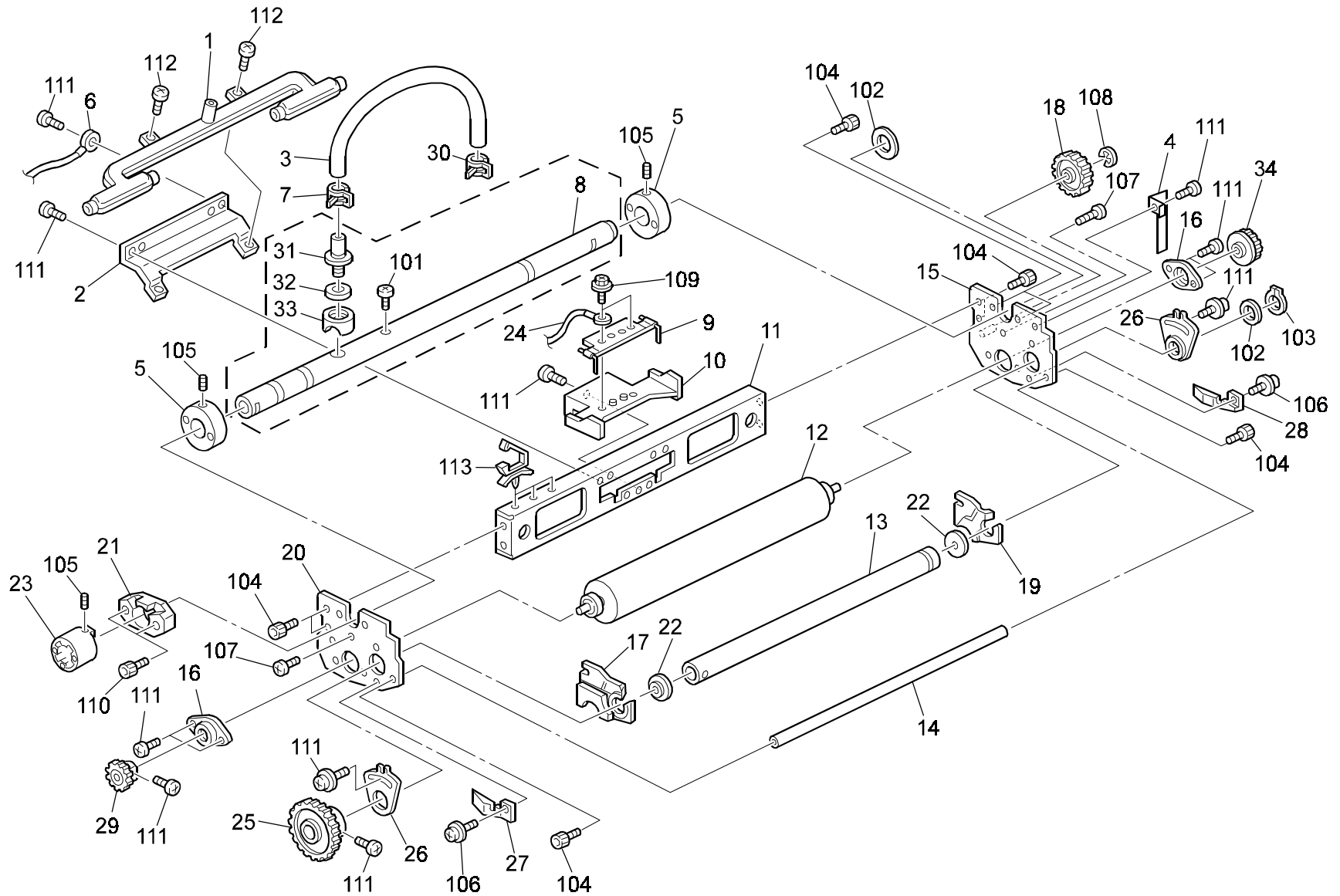


14.Drum Unit 3 (C238)

Index No.	Part No.	Description	Q'ty Per Assembly
1	C238 2401	Clamper Ass'y	1
2	C238 2407	Clamper Exit Pawls	1
3	C238 2585	Screw Mm6x1.7	2
4	C238 2519	Front Drum Side Plate	1
5	C238 2406	Clamper Shaft	1
6	C238 2410	Clamper Rear Spring	1
7	C238 2405	Clamper Holder	1
8	C238 2360	Front Drum Flange - A3	1
8	C609 2360	A4 Flange - Front	1
9	C238 2411	Clamper Front Spring	1
10	C238 2362	Rear Drum Flange - A3	1
10	C609 2362	A4 Flange - Rear	1
11	C238 2368	Drum Drive Gear	1
12	C238 2396	Stopper	1
13	C238 2395	Holder	1
14	C238 2555	Rear Drum Side Plate	1
15	C238 2370	Drum Position Plate	1
16	C238 2369	Ink Roller Drive Gear	1
17	C238 2371	Spacer	1
18	C238 2413	Screen Sensor Sheet - Trailing Edge	1
19	C238 2412	Clamper Cam	1
20	C238 2580	Metal Screen - A3	1
20	C609 2580	Metal Screen - A4	1
21	C238 2582	Sheet - Metal Screen	1
21	C609 2582	Metal Screen Mylar - A4	1
22	C238 2572	Stopper Spring	1
23	C238 2571	Drum Stopper	1
24	C238 2570	Stopper Bracket	1

Index No.	Part No.	Description	Q'ty Per Assembly
101	0720 0020E	Retaining Ring - M2	
102	1105 0005	Nylon Clamp - 3N	
103	0804 6107	Hexagon Bolt - M2x4	
104	0314 0040B	Philips Pan Head Screw - M4x4	
105	0450 3008B	Tapping Screw - M3x8	
106	0452 3006B	Tapping Screw - M3x6	
107	0593 0100Z	Bolt M3x10	
108	0594 0080Z	Bolt - M4x8	
109	0951 3006Z	Philips Screw With Flat Washer - M3x6	
110	0804 6091	Hexagonal Set Screw - M2x5	
111	1105 0516	Clamp	

15. Drum Unit 4 (C238)



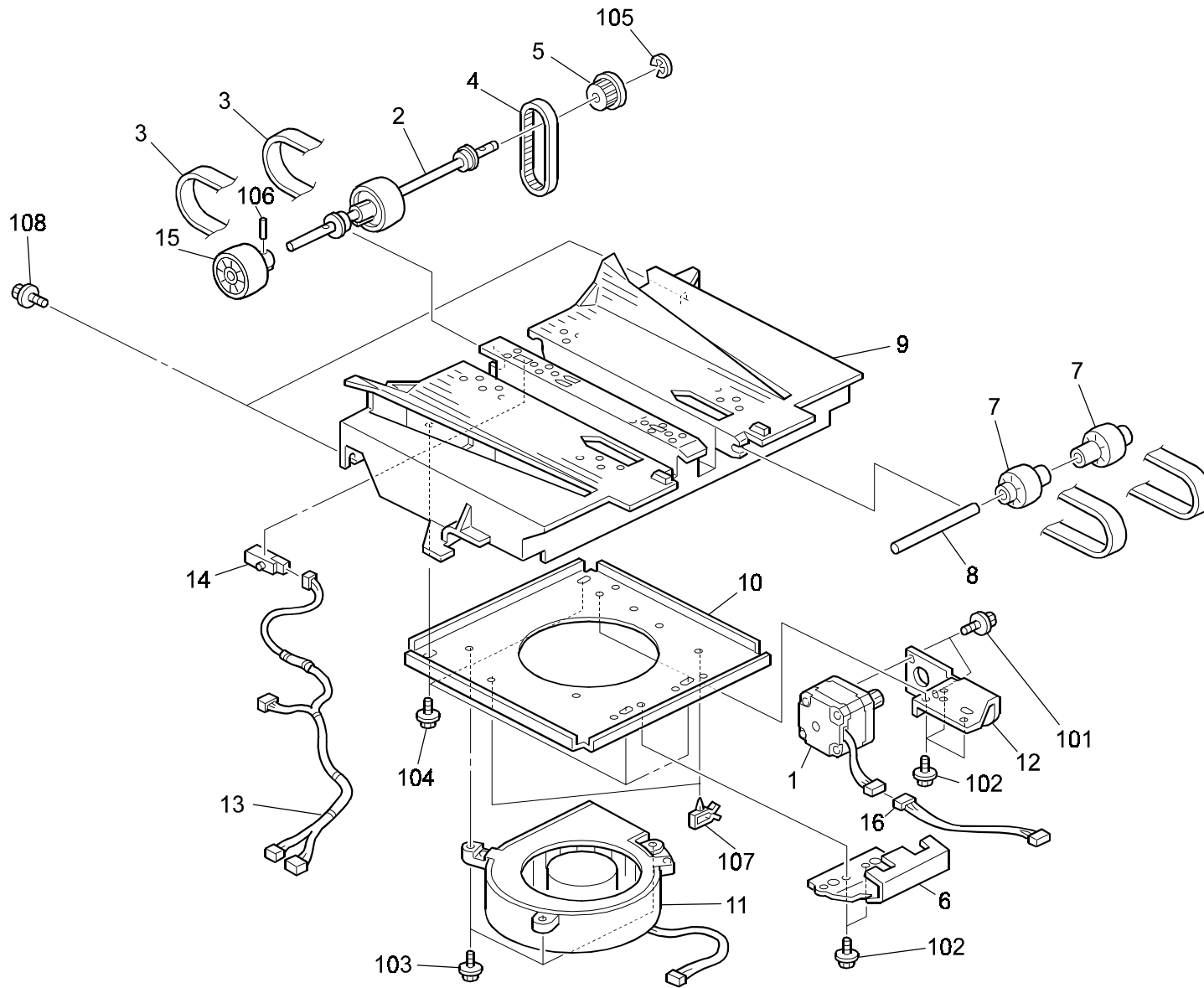
15.Drum Unit 4 (C238)

Index No.	Part No.	Description	Q'ty Per Assembly
1	C238 2467	Ink Pipe	1
2	C238 2466	Pipe Bracket	1
3	C238 2476	Ink Tube	1
4	C238 2468	Ground Plate	1
5	C238 2483	Side Plate	2
6	AW10 0022	Optics Thermistor	1
7	C209 4713	Hose Band	1
8	C238 2475	Drum Shaft Ass'y - A3	1
9	C238 2471	Ink Sensor	1
10	C238 2470	Ink Sensor Bracket	1
11	C238 2463	Drum Main Stay - A3	1
12	C238 2450	Ink Roller - A3	1
13	C238 2454	Doctor Roller - A3	1
14	C238 2465	Drum Stay Shaft	1
15	C238 2455	Rear Side Plate - Ink	1
16	C201 4665	Bearing Holder	2
17	C238 2493	Front Bank Plate	1
18	C207 4672	Gear - 36Z	1
19	C238 2490	Rear Bank Plate	1
20	C238 2457	Front Side Plate - Ink	1
21	C238 2487	Front Shaft Collar	2
22	C229 2544	Ink Roller Ring	2
23	C238 2397	Front Drum Shaft Collar	1
24	C238 5252	Ink Sensor Harness	1
25	C200 4748	Gear - 45T	1
26	C200 4723	Adjusting Plate - Doctor Roller	2
27	C238 2448	Front Ink Blade	1
28	C238 2447	Rear Ink Blade	1
29	C238 2469	Doctor Roller Drive Gear	1
30	C209 4711	Hose Band	2
31	C238 2485	Drum Shaft Joint	2
32	C238 2489	Rubber Bushing Plate	2
33	C238 2488	Rubber Bushing	2
34	C238 2460	Ink Roller Drive Gear	1

Index No.	Part No.	Description	Q'ty Per Assembly
101	0353 0120Z	Screw - M3x12	
102	0807 7114	Washer - 16x24x0.3mm	
103	0725 0160E	Retaining Ring C - M16	
104	0594 0080B	Hexagon Hole Bolt - M4x8	
105	0575 0080E	Hexagon Headless Set Screw - M5x8	
106	0951 4006Z	Philips Screw With Flat Washer - M4	
107	0314 0080Z	Philips Screw - 4x8	
108	0720 0050E	Retaining Ring - M5	
109	0450 3006B	Tapping Screw - M3x6	
110	0594 0120W	Hexagon Bolt - M4x12	
111	0353 0050B	Philips Truss Head Screw - M3x5	
112	0354 0060B	Screw - M4X6	
113	1105 0283	Clamp	



16. Vacuum Fan Unit (C238)

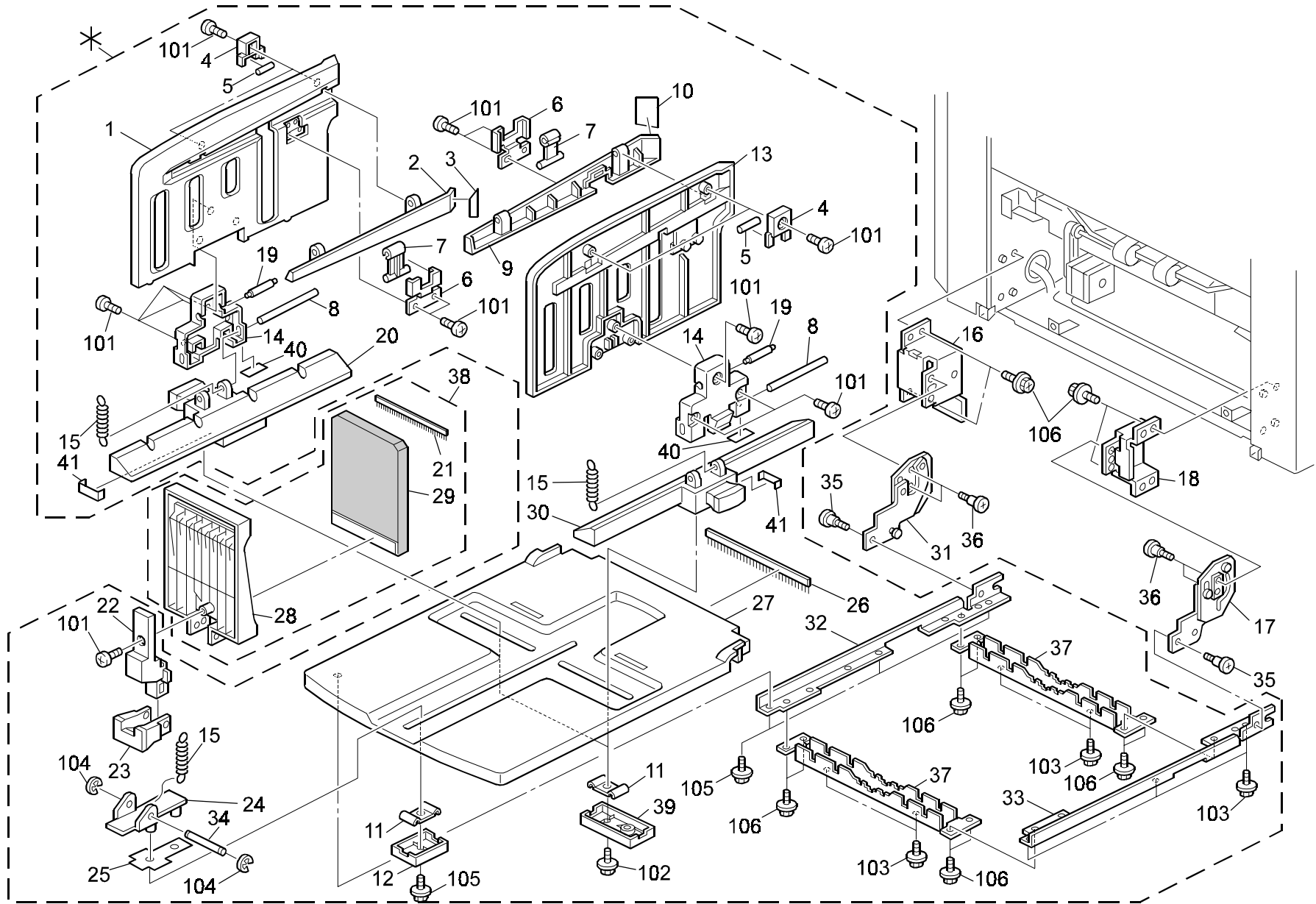


16. Vacuum Fan Unit (C238)

Index No.	Part No.	Description	Q'ty Per Assembly
*	C238 3800	Paper Delivery Unit	1
1	C238 5812	Stepper Motor	1
2	C238 3876	Drive Shaft	1
3	C238 3874	Delivery Belt - 478	2
4	C238 3879	Timing Belt	2
5	C238 3875	Drive Gear	1
6	C238 3855	Guide Plate	1
7	C238 3890	Drive Roller - Drum Side	2
8	C238 3877	Driven Shaft	1
9	C238 3861	Delivery Duct	1
10	C238 3852	Fan Bracket	1
11	C231 5880	Air Knife Fan	1
12	C238 3857	Motor Bracket	1
13	C238 5272	Paper Delivery Harness	1
14	AW01 0076	Photosensor - PS-117D1	1
15	C238 3889	Drive Roller	1
16	C238 5275	Motor Relay Harness	1

Index No.	Part No.	Description	Q'ty Per Assembly
101	0451 3006B	Tapping Screw - M3x6	
102	0451 4006B	Tapping Screw - 4x6	
103	0451 4014B	Tapping Screw - M4x14	
104	0450 4008B	Tapping Screw - 4x8	
105	0720 0060E	Retaining Ring - M6	
106	0633 0140G	Parallel Pin - 3x14	
107	1105 0267	Harness Clamp - YMC-10-0	
108	0451 4008W	Tapping Screw - M4x8	

17.Delibary Table (C238)

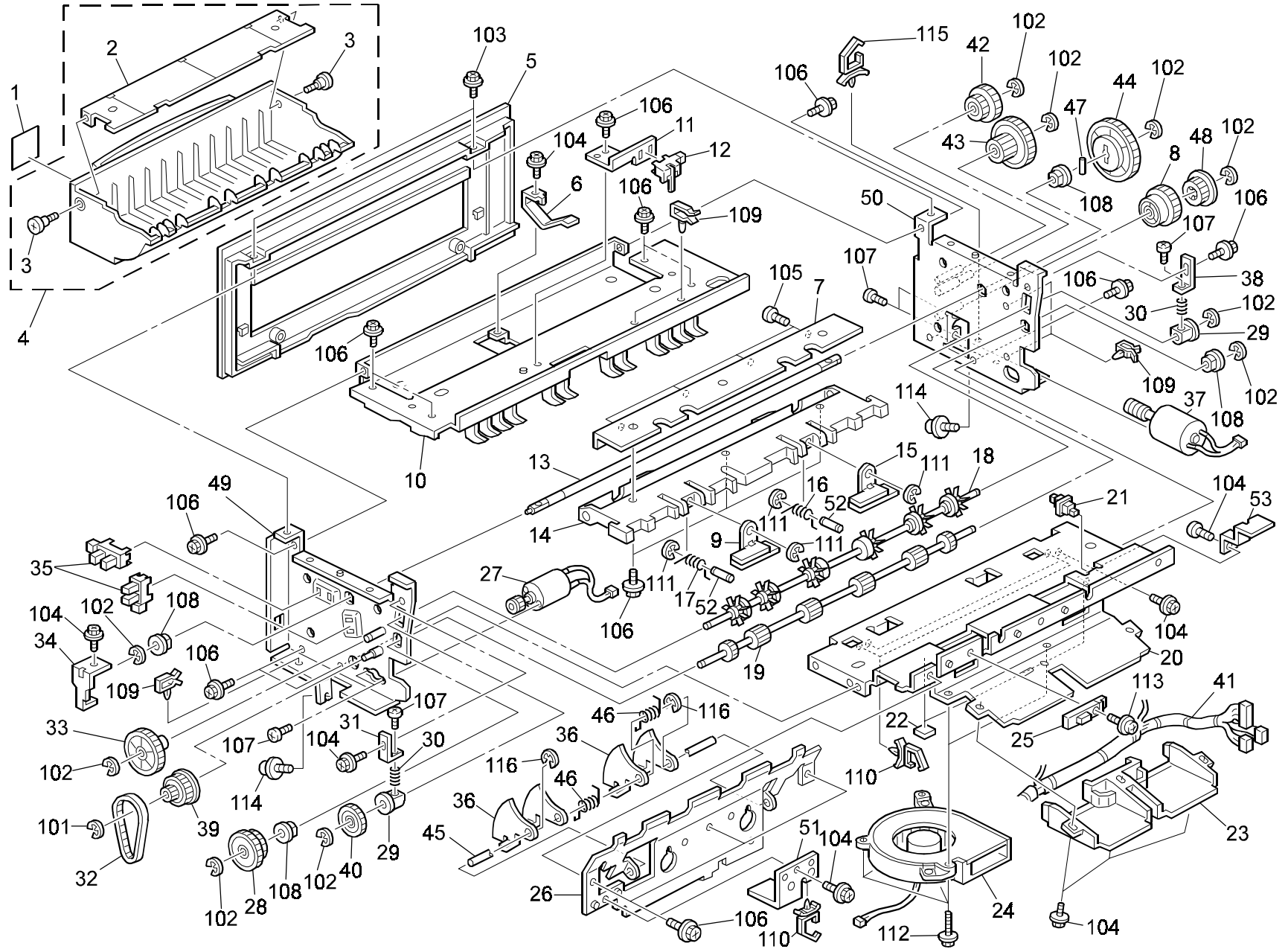


17.Delibary Table (C238)

Index No.	Part No.	Description	Q'ty Per Assembly
*	C238 4201	Paper Exit Table	1
*	C238 4207	Paper Exit Table - CHN	1
1	C238 4412	Rear Side Fence	1
2	C238 4416	Rear Wing	1
3	C233 4427	Rear Exit Guide	1
4	C238 4417	Wing Stopper	4
5	C227 6156	Upper Guide Shaft	4
6	C233 4418	Link Spring Plate	2
7	C238 4425	Wing Link	2
8	C233 4414	Pin - Lower Side Fence	2
9	C238 4415	Front Wing	1
10	C233 4426	Front Exit Guide	1
11	C231 4420	Slider Spring Plate	2
12	C238 4421	Slider Cover	1
13	C238 4411	Front Side Fence	1
14	C238 4413	Side Fence Base	2
15	C231 4413	Delivery Table Spring	3
16	C238 4442	Rear Table Bracket	1
17	C238 4431	Front Table Hinge	1
18	C238 4441	Front Table Bracket	1
19	C231 4415	Upper Side Fence Pin	3
20	C238 4396	Rear Lower Guide	1
20	C238 4398	Rear Lower Guide - CHN	1
21	C233 4430	Antistatic Brush	1
22	C238 4422	End Fence Case	1
23	C238 4406	End Plate Knob	1
24	C231 4410	End Plate Bracket	1
25	C231 4425	End Plate Sheet	1
26	C233 4405	Antistatic Brush	1
27	C238 4390	Paper Exit Base	1
28	C238 4420	End Fence Sub Ass'y	1
29	C229 4376	End Fence Cushion	1
30	C238 4395	Front Lower Guide	1
30	C238 4397	Front Lower Guide - CHN	1
31	C238 4432	Rear Table Hinge	1

Index No.	Part No.	Description	Q'ty Per Assembly
32	C233 4400	Delivery Table Rear Stay	1
33	C233 4399	Delivery Table Front Stay	1
34	C233 4424	Pin - Lower End Fence	1
35	C217 4426	Shoulder Screw	2
36	C238 4450	Hinge Screw	4
37	C231 4409	Support Plate	2
38	C238 4419	End Fence Ass'y	1
39	C238 4456	Slider Cover	1
40	C238 4440	Side Fence Spacer	4
41	C233 4409	Base Spacer - Paper Exit Sub-unit	2
101	0452 3008H	Binding Self-tapping Screw - 3x8	
102	0450 3012B	Tapping Screw - 3x12	
103	0450 4008B	Tapping Screw - 4x8	
104	0720 0030Z	Retaining Ring - M3	
105	0451 3008B	Tapping Screw - M3x8	
106	0451 4006B	Tapping Screw - 4x6	

18.Master Eject Unit (C238)

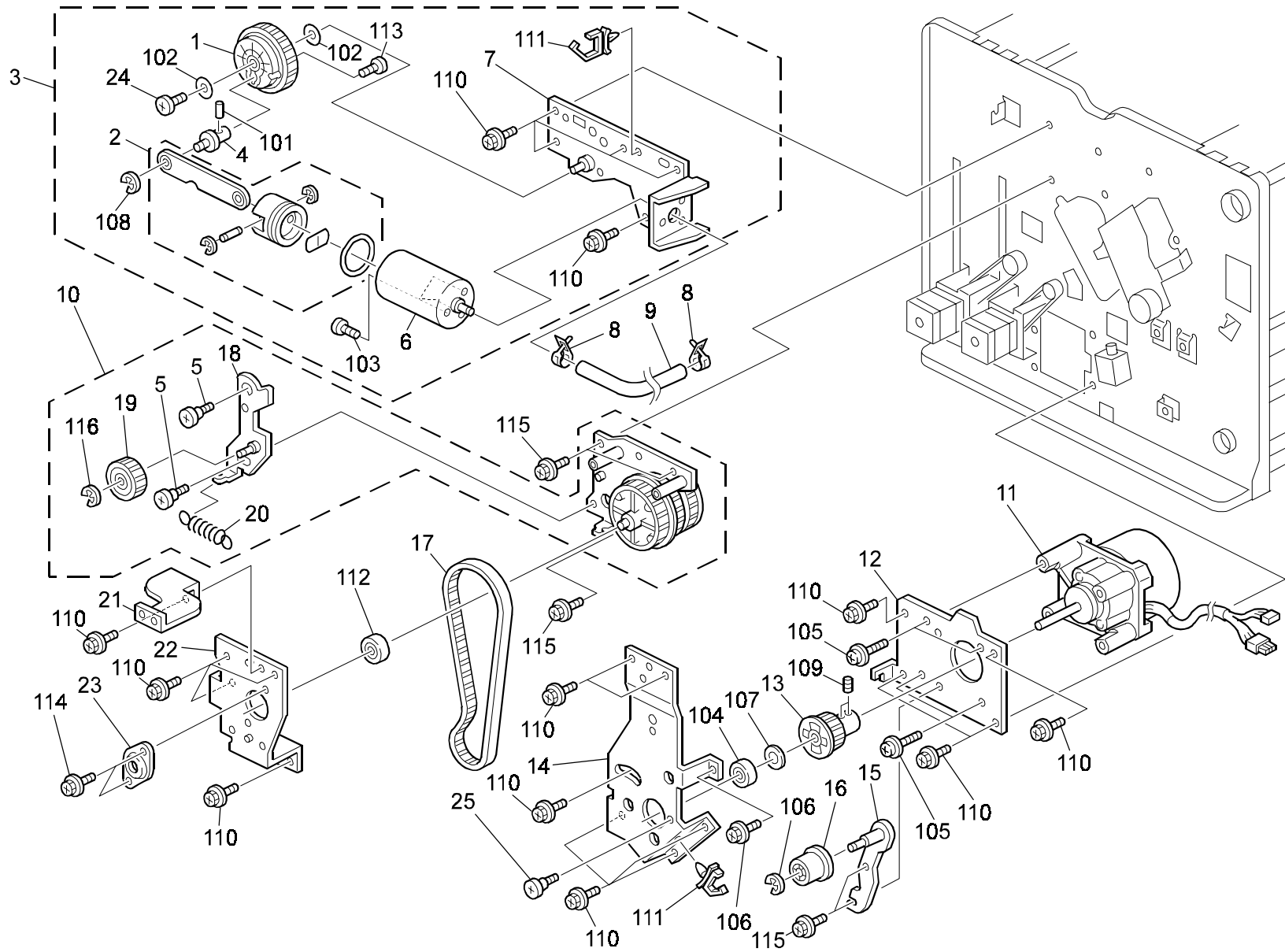


18.Master Eject Unit (C238)


Index No.	Part No.	Description	Q'ty Per Assembly
*	C238 3400	Master Ejection Unit	1
1	C238 3600	Decal - Eject Box	1
2	C238 3477	Eject Box Cover	1
3	C231 3513	Stepped Screw	2
4	C238 3490	Master Eject Box	1
5	C238 3481	Master Eject Cover	1
6	C231 3479	Spring Plate	1
7	C238 3475	Pressure Guide Plate	1
8	C238 3556	Torque Limiter - 2500G	1
9	C238 3497	Front Holder	1
10	C238 3462	Master Eject Stay	1
11	C231 3485	Sensor Bracket	1
12	C217 8446	Photointerruptor - Master Eject	1
13	C238 3474	Pressure Shaft	1
14	C238 3473	Pressure Plate	1
15	C238 3495	Rear Holder	1
16	C237 3525	Spring	1
17	C237 3524	Pressure Spring	1
18	C238 3468	Upper Eject Roller	1
19	C238 3466	Lower Eject Roller	1
20	C238 3457	Master Eject Base	1
21	AW50 0012	Push Switch	1
22	C237 3576	Separation Plate Cushion	2
23	C238 4350	Air Knife Duct	1
24	C231 5880	Air Knife Fan	2
25	C203 8137	Master Sensor	1
26	C238 3460	Air Knife Bracket	1
27	C229 5811	DC Motor - 50W	1
28	C231 3489	Lower Roller Gear	1
29	C231 3486	Bushing	2
30	C231 3487	Pressure Spring	2
31	C238 3485	Front Spring Bracket	1
32	C238 3470	Timing Belt - S2M 66Z	1
33	C231 3493	Coupled Gear - Large	1
34	C238 3472	Position Feeler	1

Index No.	Part No.	Description	Q'ty Per Assembly
35	AW02 0075	Photointerrupter	2
36	C237 3571	Master Pick-off Pawl	2
37	C229 5803	DC Motor - 5.0W	1
38	C238 3486	Rear Spring Bracket	1
39	C238 3469	Belet Gear	1
40	C231 3494	Gear - Upper Roller	1
41	C238 5280	Master Eject Harness	1
42	C238 3519	Second Gear	1
43	C238 3518	First Gear	1
44	C237 3684	Gear - Pressuer Plate	1
45	C237 3575	Master Pick-off Pawl Shaft	1
46	C237 3573	Spring	2
47	C237 3505	Pin 3x16	1
48	C229 3557	Gear - 17Z	1
49	C238 3451	Front Side Plate	1
50	C238 3454	Rear Side Plate	1
51	C238 3464	Motor Cover	1
52	C237 3523	Pin - Pressure Plate	2
53	C238 3484	Push Switchcover	1
101	0720 0030E	Retaining Ring - M3	
102	0720 0040E	Retaining Ring - M4	
103	0450 4008B	Tapping Screw - 4x8	
104	0451 3006B	Tapping Screw - M3x6	
105	0950 4010B	Sems Screw - M4x10	
106	0451 4006B	Tapping Screw - 4x6	
107	0353 0050Z	Philips Truss Head Screw - M3x5	
108	0805 3385	Bushing - 6mm	
109	1105 0267	Harness Clamp - YMC-10-0	
110	1105 0310	Harness Clamp - LWS-1S	
111	0720 0020E	Retaining Ring - M2	
112	0451 4014B	Tapping Screw - 4x14	
113	0951 3010Z	Philips Screw With Flat Washer - M3	
114	0954 4008B	Philips Screw - M4x8	

19. Drive Section 1 (C238)

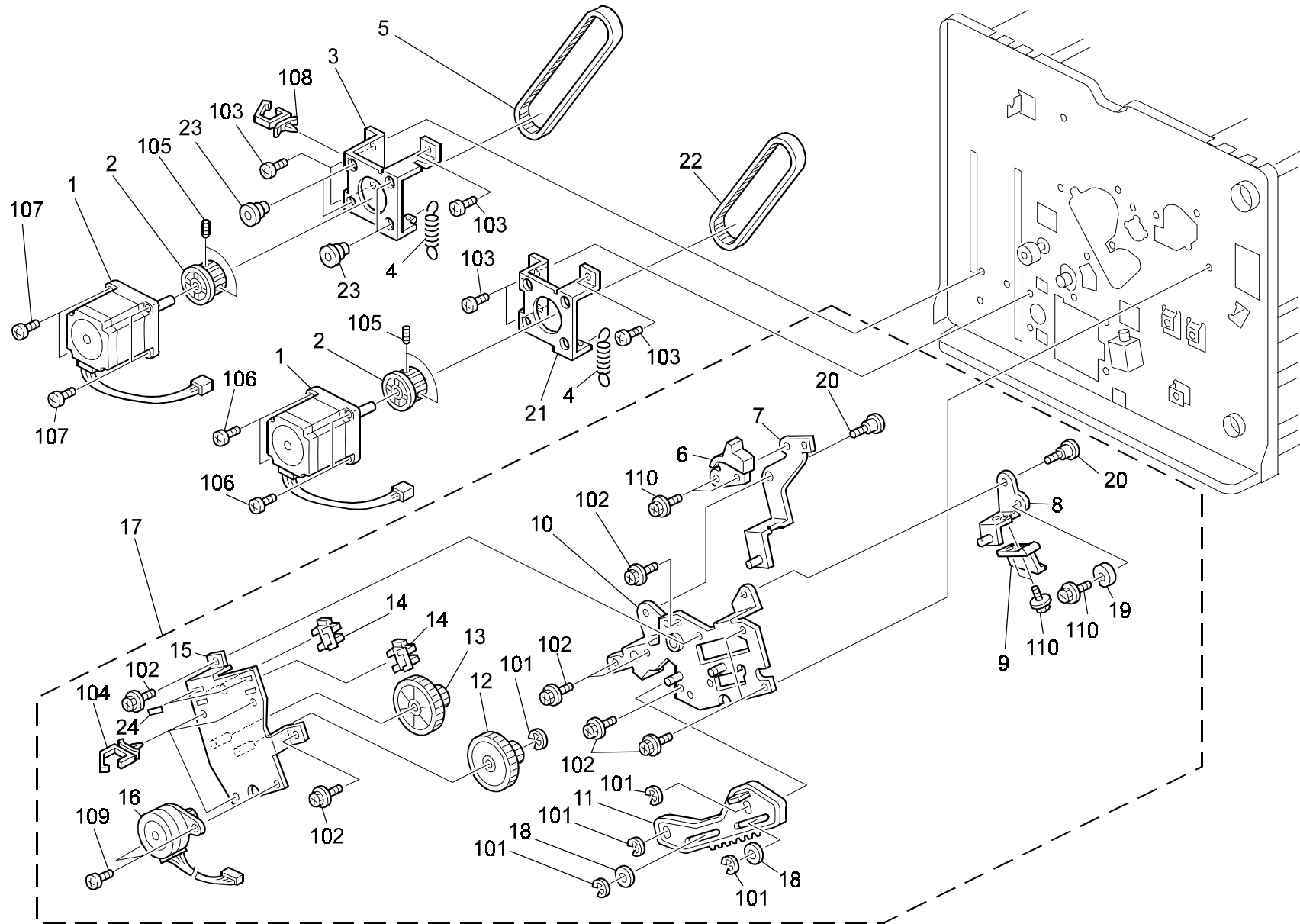


19. Drive Section 1 (C238)

Index No.	Part No.	Description	Q'ty Per Assembly
1	C238 1186	Piston Gear	1
2	C238 4355	Piston Ass'y	1
3	C238 1180	Air Pump Unit	2
4	C238 1187	Piston Pin	1
5	5442 1659	Stepped Screw - M4	2
6	C213 6043	Air Pump Cylinder	1
7	C238 1181	Air Pump Bracket	1
8	C209 4711	Hose Band	2
9	C238 4369	Exit Pawl Hose	1
10	C238 1160	Drum Drive Gear Ass'y	1
11	C231 5890	Main Motor - DC24V	1
12	C238 1151	Main Motor Bracket	1
13	C238 1152	Main Motor Gear	1
14	C238 1154	Lower Drum Drive Plate	1
15	C238 1156	Belt Tensioner	1
16	C229 1145	Belt Tension Roller	1
17	C238 1172	Main Belt - 150S3M588	1
18	C238 1177	Roller Bracket	1
19	C238 1176	Clutch Gear	1
20	C238 4349	Spring	1
21	C238 1399	Rear Cover Bracket - Middle Lower	1
22	C238 1169	Upper Drum Drive Plate	2
23	C201 5134	Bearing Holder	1
24	5506 6197	Screw - Knife Cam - Leading Edge CL	1
25	5446 3648	Stepped Screw - M4	1
			

Index No.	Part No.	Description	Q'ty Per Assembly
101	0622 5140E	Spring Pin - 2.5x14mm	
102	0807 5009	Spacer - 8.1x11.5x0.1mm	
103	0353 0060B	Philips Pan Head Screw - M3x6	
104	0740 3010	Ball Bearing - 10x26x8mm	
105	0951 5020B	Polished Round Screw - M5x20	
106	0720 0060E	Retaining Ring - M6	
107	0807 7046	Washer - 10.5x20x0.2mm	
108	0720 0030E	Retaining Ring - M3	
109	0575 0060E	Hexagon Headless Set Screw - M5x6	
110	0451 4006B	Tapping Screw - 4x6	
111	1105 0511	Harness Clamp - LWS-0306ZC	
112	0740 3010	Ball Bearing - 10x26x8mm	
113	0954 4008B	Philips Screw - M4x8	
114	0451 3006B	Tapping Screw - M3x6	
115	0451 4008W	Tapping Screw - M4x8	
116	0720 0040E	Retaining Ring - M4	

20. Drive Section 2 (C238)

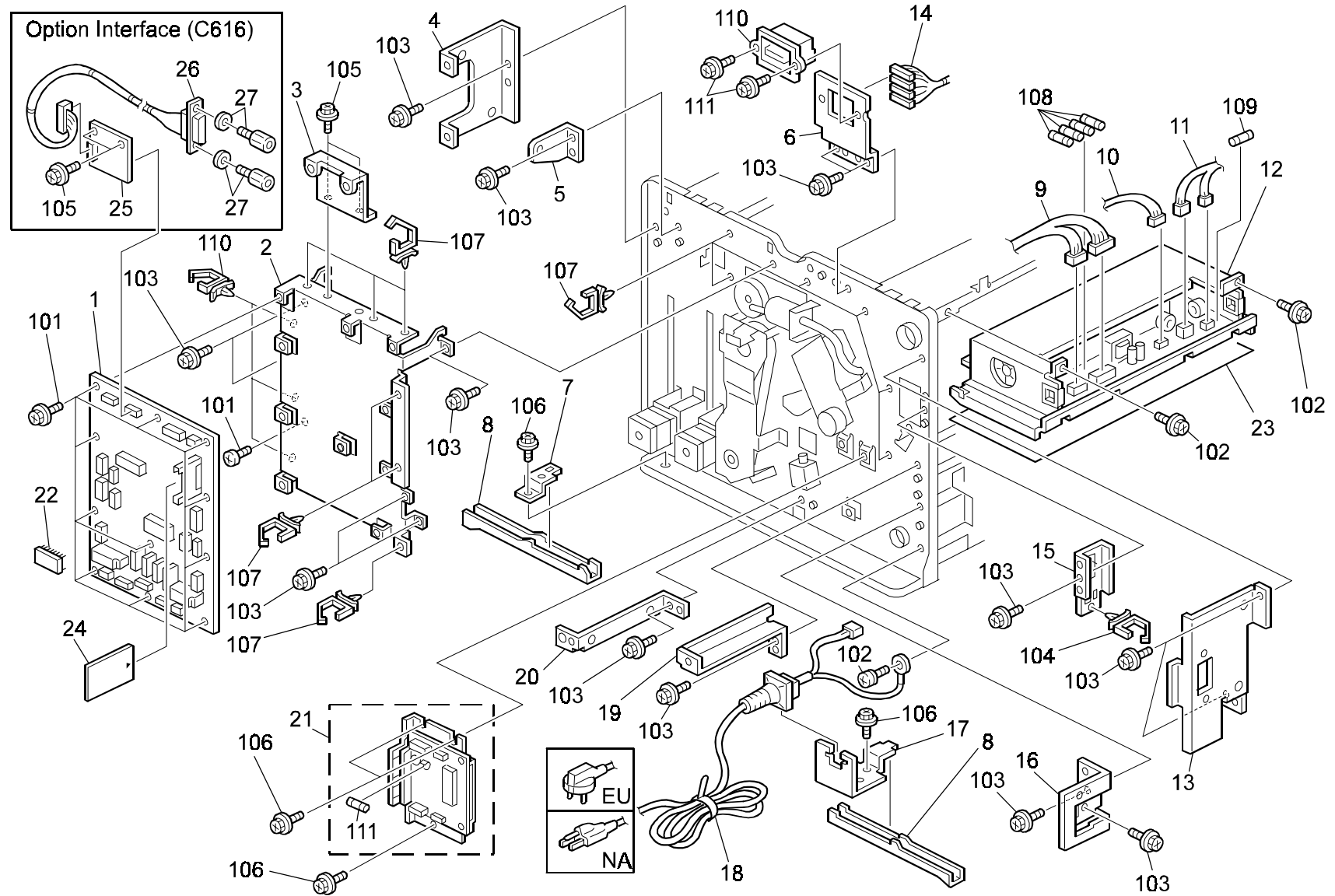


20. Drive Section 2 (C238)





Index No.	Part No.	Description	Q'ty Per Assembly
1	C238 5801	Stepper Motor - 56x64	2
2	C229 2946	Motor Pulley	2
3	C238 5731	Feed Motor Bracket	1
4	C238 2849	Tension Spring - 18N	2
5	C238 2948	Timing Belt - 140-XL-050	1
6	C238 4058	Master Clamp Guide	1
7	C238 4055	Master Clamp Lever	1
8	C238 4059	Eject Clamp Lever	1
9	C238 4061	Eject Clamp Guide	1
10	C238 4000	Clamp Drive Base	1
11	C238 4051	Clamp Drive Rack	1
12	C238 4063	Slow Down Gear	1
13	C238 4062	Rack Drive Gear	1
14	AW02 0075	Photointerruptor	2
15	C238 4064	Clamp Drive Side Plate	1
16	H521 5010	Scanner Motor - ADF	1
17	C238 4010	Clamp Drive Unit	1
18	C238 4053	Rack Spacer	2
19	C238 4070	Eject Clamp Pusher	2
20	C217 4426	Shoulder Screw	2
21	C238 5729	Motor Bracket - Feed Roller	1
22	C238 2905	Timing Belt - 110-XL-050	1
23	C403 1899	Rubber Bushing - M4	4
24	C238 4071	Sensor Guide	1


Index No.	Part No.	Description	Q'ty Per Assembly
101	0720 0040E	Retaining Ring - M4	
102	0451 4006B	Tapping Screw - 4x6	
103	0314 0040B	Philips Pan Head Screw - M4x4	
104	1105 0511	Harness Clamp - LWS-0306ZC	
105	0574 0080E	Hexagon Headless Set Screw - M4x8	
106	0354 0080Z	Screw - M4X8	
107	0354 0140B	Screw - M4X14	
108	1105 0508	Harness Clamp - LWS-0711	
109	0453 3006B	Tapping Screw - M3x6	
110	0451 3006B	Tapping Screw - M3x6	

21. Electrical Section 1 (C238)

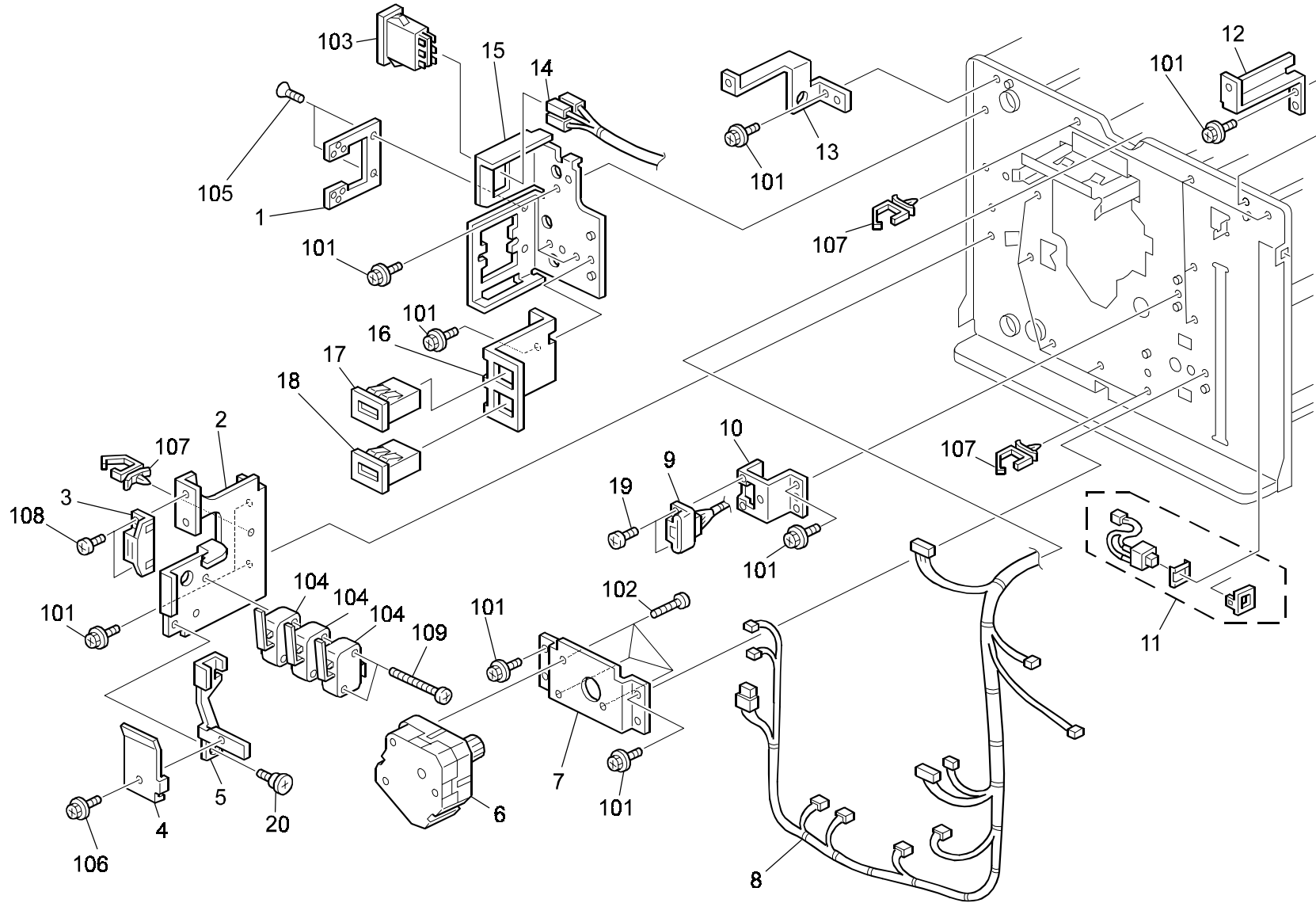


21.Electrical Section 1 (C238)

Index No.	Part No.	Description	Q'ty Per Assembly	
	1	C238 5100	MPU Board	1
	2	C238 5601	MPU Bracket	1
	3	C238 5632	Interface Bracket	1
	4	C238 1396	Rear Cover Bracket - Right Upper	1
	5	C238 1958	MPU Bracket	1
	6	C238 1397	Rear Cover Bracket - Middle Upper	1
	7	C229 1072	Grip Guide Bracket	1
	8	C229 1071	Grip Plate - Short	2
	9	C238 5202	Power Supply Harness - DC	1
	10	C238 5210	Plotter Relay Harness	1
	11	C238 5205	AC Harness	1
	12	C238 5310	DC Power Supply Unit - 328W	1
	12	C238 5300	DC Power Supply Unit - 352W (CHN)	1
	13	C238 1377	Connector Bracket	1
	14	C236 5274	ADF Relay Harness	1
	15	C238 3500	Eject Connector Bracket	1
	16	C238 5630	Tape Marker Bracket	1
	17	C238 5670	Cord Bracket	1
	18	C238 5821	Power Supply Cord - 115V	1
	18	C238 5823	Power Supply Cord - 230V	1
	18	C238 5822	Power Supply Cord - CHN	1
	19	C238 1398	Rear Cover Bracket - Left Upper	1
	20	C238 1389	Rear Cover Bracket - Lower	1
	21	C238 5150	Motor Control Board	1
	22	C238 5124	Program I/O	1
	23	C238 5627	Insulating Sheet - Power Supply Unit	1
	24	C238 5114	Program MPU	1
	25	C580 1011	Interface Board	1
	26	C615 5202	Relay Harness - 820mm	1
	27	C580 1550	Stepped Screw - M2.6	1
		 		

Index No.	Part No.	Description	Q'ty Per Assembly
101	0314 0040B	Philips Pan Head Screw - M4x4	
102	0954 4008B	Philips Screw - M4x8	
103	0451 4006B	Tapping Screw - 4x6	
104	1105 0488	Harness Clamp	
105	0451 3006B	Tapping Screw - M3x6	
106	0451 4008W	Tapping Screw - M4x8	
107	1105 0490	Harness Clamp - IWS-2218	
108	1107 0868	Fuse - 5A 125V	
109	1107 0880	Fuse - 6.3A 250V	
110	1102 7445	Connector - 46P	
111	1107 0935	Fuse - 10A 125V	
			

22.Electrical Section 2 (C238)

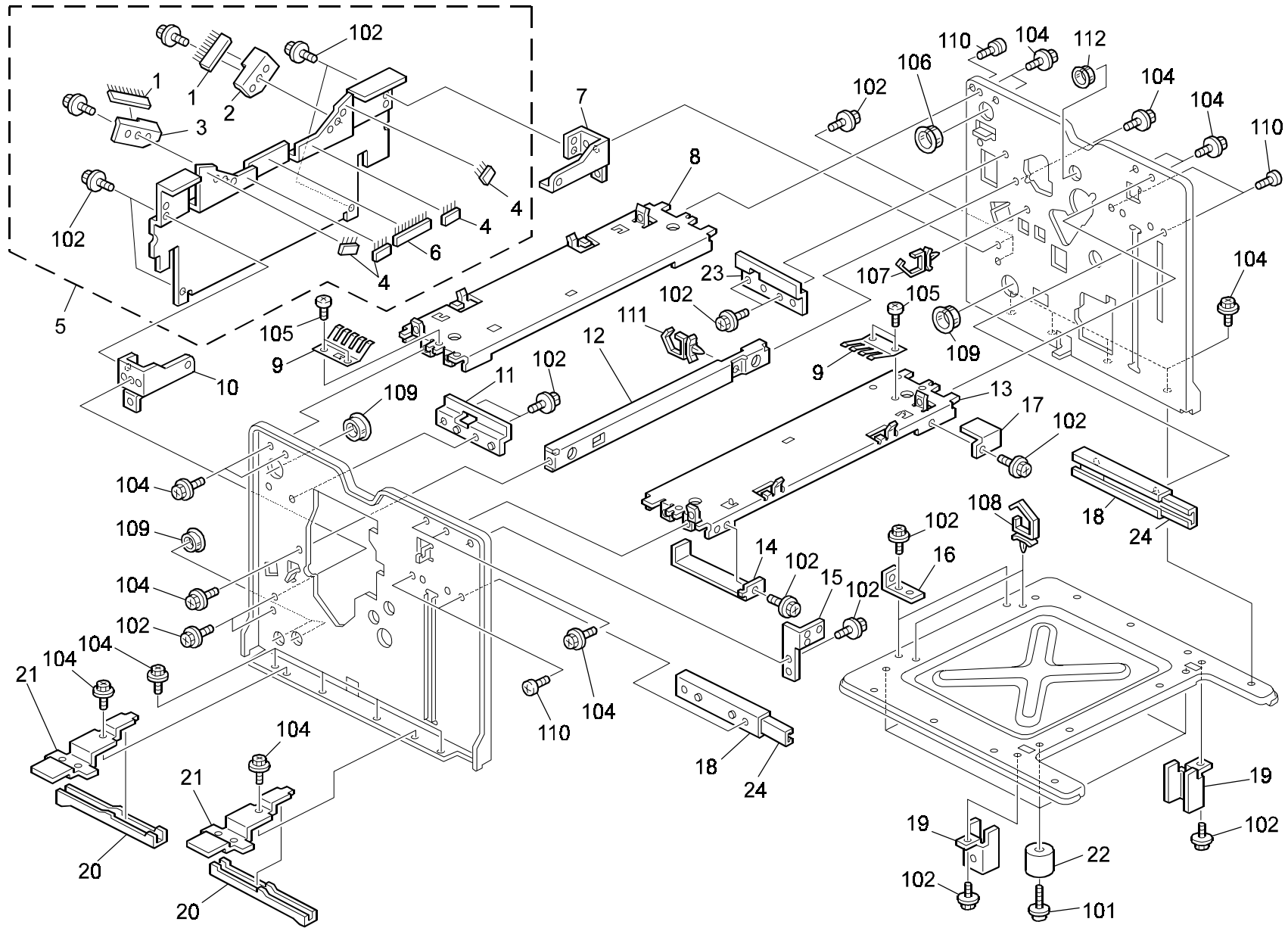


22.Electrical Section 2 (C238)

Index No.	Part No.	Description	Q'ty Per Assembly
1	C238 1339	Key Counter Plate Nut	1
2	C238 5685	Safety Switch Bracket	1
3	5054 0536	Magnet Catch Ass'y	1
4	C238 5646	Safety Switch Spring Plate	1
5	C238 5645	Safety Switch Lever	1
6	C229 5814	DC Motor - 24V	1
7	C238 2785	Tray Motor Bracket	1
8	C238 5200	DC Harness	1
9	C238 5215	Drum Relay Harness	1
10	C238 2611	Connector Bracket	1
11	C209 8288	Table Down Switch	1
12	C238 1387	Front Cover Bracket2 - Upper	1
13	C238 1388	Front Cover Bracket3 - Upper	1
14	C238 5205	AC Harness	1
15	C238 5650	Main Switch Bracket	1
16	C238 5651	Total Counter Bracket	1
17	C237 5471	Total Counter - 6fig	1
18	C237 5472	Total Counter - 7fig	1
19	C229 2633	Stepped Screw	2
20	AA14 3005	Stepped Screw - M4x2.5	1

Index No.	Part No.	Description	Q'ty Per Assembly
101	0451 4006B	Tapping Screw - 4x6	
102	0450 4025B	Tapping Screw With Washer - M4x25	
103	1204 2501	Main Switch	
104	1204 2497	Micro Switch	
105	0323 0100Z	Philips Sunken Head Screw - M3x10	
106	0451 3006B	Tapping Screw - M3x6	
107	1105 0508	Harness Clamp - LWS-0711	
108	0453 3006B	Tapping Screw - M3x6	
109	0313 0350B	Philips Pan Head Screw - M3x35	

23.Frame Section (C238)



23.Frame Section (C238)

Index No.	Part No.	Description	Q'ty Per Assembly
1	C238 3887	Antistatic Brush - Long	2
2	C238 3867	Rear Adjust Plate	1
3	C238 3866	Front Adjust Plate	1
4	C238 3886	Antistatic Brush	4
5	C238 3801	Paper Delivery Stay	1
6	C238 3885	Antistatic Brush - Center	1
7	C238 3882	Rear Bracket	1
8	C238 1998	Left Scanner Stay	1
9	A267 1089	Grounding Plate - Upper Rear	2
10	C238 3881	Front Bracket	1
11	C238 3532	Eject Slide Rail - Front	1
12	C238 3551	Eject Unit Stay	1
13	C238 1990	Right Scanner Stay	1
14	C238 1996	Cover	1
15	C238 1386	Front Cover Bracket1 - Upper	1
16	C238 3883	Lower Bracket	2
17	C238 1992	Platen Bracket	1
18	C229 2275	Plotter Rail	2
19	C238 1070	Rack Guide	2
20	C229 1071	Grip Plate - Short	2
21	C238 1068	Front Grip Plate	2
22	C238 1057	Rubber Foot	4
23	C238 3531	Eject Slide Rail - Rear	1
24	C229 2276	Middle Plotter Rail	2

Index No.	Part No.	Description	Q'ty Per Assembly
101	0951 4020B	Philips Screw With Washer - M4x20	
102	0451 4006B	Tapping Screw - 4x6	
103	0451 3006B	Tapping Screw - M3x6	
104	0451 4008W	Tapping Screw - M4x8	
105	0453 3006B	Tapping Screw - M3x6	
106	1106 0351	Bushing - 12x35x48	
107	1105 0511	Harness Clamp - LWS-0306ZC	
108	1105 0508	Harness Clamp - LWS-0711	
109	1106 0349	Bushing - 25	
110	0801 0150	Philips Screw - M4x8	
111	1105 0488	Harness Clamp	
112	1106 0167	Bushing - 11mm	

24.MPU Board (C238)

CAPACITOR

SYMBOL NO.	INDEX NO.	SYMBOL NO.	INDEX NO.	SYMBOL NO.	INDEX NO.	SYMBOL NO.	INDEX NO.	SYMBOL NO.	INDEX NO.	SYMBOL NO.	INDEX NO.	SYMBOL NO.	INDEX NO.
C101	201	C111	213	C121	200	C131	212	C141	212	C151	212	C161	212
C102	201	C112	200	C122	212	C132	212	C142	210	C152	212	C162	198
C103	-	C113	200	C123	210	C133	210	C143	199	C153	210	C163	208
C104	164	C114	200	C124	212	----	----	C144	212	C154	210	C164	206
C105	201	C115	200	C125	210	C135	212	C145	210	C155	210	C165	213
C106	201	C116	200	C126	212	C136	210	C146	199	C156	212	C166	212
C107	201	C117	200	C127	210	C137	212	C147	210	C157	198	C167	210
C108	201	C118	200	C128	210	C138	210	C148	212	C158	210	C168	210
C109	200	C119	198	C129	213	C139	210	C149	210	C159	212	C169	212
C110	200	C120	212	C130	212	C140	212	C150	212	C160	210	C170	206

CAPACITOR

SYMBOL NO.	INDEX NO.	SYMBOL NO.	INDEX NO.	SYMBOL NO.	INDEX NO.	SYMBOL NO.	INDEX NO.	SYMBOL NO.	INDEX NO.	SYMBOL NO.	INDEX NO.	SYMBOL NO.	INDEX NO.
C171	210	C181	212	C191	212	----	----	C211	210	C221	213	C231	212
C172	212	C182	210	C192	205	C202	210	C212	212	C222	213	C232	210
C173	205	C183	212	C193	212	C203	212	C213	212	C223	213	C233	210
C174	212	C184	210	C194	210	C204	212	C214	210	C224	213	C234	212
C175	210	C185	212	C195	212	C205	210	C215	213	C225	212	C235	210
C176	205	C186	207	C196	212	C206	205	C216	210	C226	212	C236	212
C177	209	C187	210	C197	210	C207	210	C217	213	C227	212	C237	212
C178	209	C188	210	C198	198	C208	212	C218	-	C228	210	C238	213
C179	210	C189	212	C199	212	C209	210	C219	166	C229	210	C239	210
C180	212	----	----	C200	212	C210	212	C220	213	C230	212	C240	210

24.MPU Board (C238)

CAPACITOR

SYMBOL NO.	INDEX NO.	SYMBOL NO.	INDEX NO.	SYMBOL NO.	INDEX NO.	SYMBOL NO.	INDEX NO.	SYMBOL NO.	INDEX NO.	SYMBOL NO.	INDEX NO.	SYMBOL NO.	INDEX NO.
C241	212	C251	212	C261	210	C271	212	C281	205	C291	212	C301	210
C242	212	C252	212	C262	212	C272	212	C282	205	C292	210	C302	206
C243	210	C253	210	C263	210	C273	210	C283	165	C293	208	C303	210
C244	210	C254	212	C264	210	C274	212	C284	206	C294	210	C304	212
C245	212	C255	210	C265	212	C275	210	C285	206	C295	210	C305	210
C246	212	C256	210	C266	210	C276	210	C286	210	C296	212	C306	212
C247	210	C257	210	C267	210	C277	212	C287	210	C297	206	C307	210
C248	210	C258	210	C268	212	C278	212	C288	212	C298	212	C308	212
C249	210	C259	212	C269	212	C279	210	C289	212	C299	210	C309	212
C250	210	C260	210	C270	210	C280	212	C290	212	C300	212	C310	210

CAPACITOR

SYMBOL NO.	INDEX NO.	SYMBOL NO.	INDEX NO.	SYMBOL NO.	INDEX NO.	SYMBOL NO.	INDEX NO.	SYMBOL NO.	INDEX NO.	SYMBOL NO.	INDEX NO.	SYMBOL NO.	INDEX NO.
C311	212	C321	210	C331	212	C341	205	C351	212	C361	210	C371	212
C312	210	C322	212	C332	205	C342	205	C352	212	C362	210	C372	212
C313	163	C323	206	C333	210	C343	162	C353	210	C363	210	C373	212
C314	163	C324	212	----	----	C344	205	C354	210	C364	210	C374	212
C315	209	C325	212	C335	205	C345	212	----	----	C365	212	C375	212
C316	209	C326	210	----	----	C346	205	C356	210	C366	212	C376	212
C317	209	C327	210	----	----	C347	212	C357	210	C367	212	C377	212
C318	210	C328	209	----	----	C348	212	C358	210	C368	212	C378	212
C319	212	C329	205	----	----	C349	212	C359	210	C369	212	C379	212
C320	206	----	----	----	----	C350	212	C360	210	C370	212	C380	213

24.MPU Board (C238)

CAPACITOR

SYMBOL NO.	INDEX NO.
C381	213
C382	213
C383	212
C384	212
C385	212
C386	210
C387	208
C388	210
C389	210
C390	210

SYMBOL NO.	INDEX NO.
C391	212
C392	210
C393	212
C394	212
C395	212
C396	212
C397	206
C398	206
C399	206
C400	206

SYMBOL NO.	INDEX NO.
C401	208
C402	206
C403	206
C404	206
C405	206
C406	206
C407	206
C408	206
C409	206
C410	206

SYMBOL NO.	INDEX NO.
C411	206
C412	206
C413	206
C414	206
C415	206
C416	206
C417	206
C418	206

CONNECTOR

SYMBOL NO.	INDEX NO.
CN101	2
CN102	110
CN103	117
----	----
CN105	117
CN106	105
CN107	104
CN108	112
CN109	106
CN110	105

SYMBOL NO.	INDEX NO.
CN111	109
CN112	108
CN113	116
CN114	119
CN115	114
CN116	113
CN117	111
CN118	107
CN119	115
CN120	-

DIODE

SYMBOL NO.	INDEX NO.
D101	126
D102	126
D103	126
D104	126
D105	126
D106	126
D107	126
D108	126
D109	124
D110	-

DIODE

SYMBOL NO.	INDEX NO.
D111	124
D112	125
D113	125
D114	125
D115	125
D116	126
D117	126
D118	126
D119	126

FIB

SYMBOL NO.	INDEX NO.
FIB101	160
FIB102	160
FIB103	160
FIB104	161
FIB105	161
FIB106	161
FIB107	161
FIB108	161
FIB109	161
FIB110	161

SYMBOL NO.	INDEX NO.
FIB111	161
FIB112	161
FIB113	161
FIB114	161
FIB115	161
FIB116	160
FIB117	160
FIB118	160
FIB119	170
FIB120	167

IC

SYMBOL NO.	INDEX NO.
IC101	143
IC102	147
IC103	148
IC103	5
IC103	101
IC103	102
IC104	148
IC104	5
IC104	101
IC104	102

SYMBOL NO.	INDEX NO.
IC105	150
IC106	150
IC107	150
IC108	128
IC109	145
IC110	144
IC111	145
IC112	149
IC113	144
IC114	128

SYMBOL NO.	INDEX NO.
IC115	123
IC116	143
IC117	138
IC118	129
IC119	138
IC120	130
IC121	131
IC121	120
IC122	138
IC123	135

SYMBOL NO.	INDEX NO.
IC124	137
IC125	135
IC126	136
IC127	138
IC128	140
IC129	140
IC130	120
IC131	138
IC132	142
IC133	214

24.MPU Board (C238)

IC

SYMBOL NO.	INDEX NO.
IC134	138
IC135	138
IC136	139
IC137	1
IC138	141
IC139	3
IC140	133
IC142	4
IC143	134
IC144	138

SYMBOL NO.	INDEX NO.
IC145	129
IC146	146
IC147	138
IC148	138
IC149	138
IC150	138

LED

SYMBOL NO.	INDEX NO.
LED101	-
LED102	127
LED103	127
LED104	127

OSC

SYMBOL NO.	INDEX NO.
OSC101	152
OSC102	151
OSC103	153

Q

SYMBOL NO.	INDEX NO.
Q101	121
Q102	122
Q103	122
Q104	122
Q105	122
Q107	122
Q109	122
Q110	122
Q111	122
Q112	122

RESISTOR

SYMBOL NO.	INDEX NO.
Q113	122
Q114	122
Q115	122
Q116	122
Q117	121

SYMBOL NO.	INDEX NO.
R101	171
R102	-
R103	174
R104	-
R105	194
R106	185
R107	180
R108	195
R109	195
R110	196

RESISTOR

SYMBOL NO.	INDEX NO.
R111	196
R112	197
R113	184
R114	175
R115	177
R116	175
R118	175
----	----
----	----
----	----

SYMBOL NO.	INDEX NO.
R121	182
R122	179
R123	179
R124	175
R125	179
R126	175
R127	175
R128	175
R129	175
R130	168

SYMBOL NO.	INDEX NO.
R131	176
R132	173
R133	175
R134	180
----	----
R136	175
R137	182
R138	181
R139	179
R140	176

SYMBOL NO.	INDEX NO.
R141	179
R142	179
R143	179
R144	179
R145	179
R146	179
R147	178
R148	176
R149	175
R150	179

SYMBOL NO.	INDEX NO.
R151	175
R152	179
R153	179
R154	179
R155	180
R156	179
R157	194
R158	180
R159	-
R160	180

SYMBOL NO.	INDEX NO.
R161	-
R162	174
R163	182
R164	190
R165	182
R166	190
R167	172
R168	-
R169	172
R170	-

SYMBOL NO.	INDEX NO.
R171	-
R172	172
R173	191
R174	191
R175	194
R176	186
R177	193
R178	193
R179	187
R180	187

24.MPU Board (C238)

RESISTOR

SYMBOL NO.	INDEX NO.	SYMBOL NO.	INDEX NO.	SYMBOL NO.	INDEX NO.	SYMBOL NO.	INDEX NO.	SYMBOL NO.	INDEX NO.	SYMBOL NO.	INDEX NO.	SYMBOL NO.	INDEX NO.
R181	187	R191	183	R201	175	R211	189	R221	179	R231	175	R241	175
R182		R192	175	R202	175	R212	174	----	----	R232	175	R243	175
R183		R193	175	R203	175	R213	175	----	----	R233	175	----	----
R184		R194	175	R204	175	R214	174	----	----	R234	175	R244	175
R185	192	R195	175	R205	175	R215	174	----	----	R235	175	R245	179
R186	192	R196	175	R206	175	R216	175	R226	179	R236	175	R246	180
R187	192	R197	175	R207	175	R217	168	R227	179	R237	175	----	----
R188	204	----	----	R208	175	----	----	R228	179	R238	175	R248	175
R189	204	R199	175	R209	179	R219	180	R229	175	R239	179	----	----
R190	204	R200	175	R210	188	R220	179	R230	175	R240	175	----	----

RESISTOR

SYMBOL NO.	INDEX NO.	SYMBOL NO.	INDEX NO.	SYMBOL NO.	INDEX NO.	SYMBOL NO.	INDEX NO.	SYMBOL NO.	INDEX NO.	SYMBOL NO.	INDEX NO.	SYMBOL NO.	INDEX NO.
R251	175	R261	203	R271	179	RAY101	156	RAY111	155	RAY121	158	RAY131	155
R252	179	R262	175	R272	174	RAY102	155	RAY112	155	RAY122	155	RAY132	158
R253	175	R263	175	R273	174	RAY103	155	RAY113	155	RAY123	155	RAY133	155
R254		R264	175	R274	168	RAY104	155	RAY114	155	RAY124	158	RAY134	155
R255	179	R265	174	R275	168	RAY105	155	RAY115	158	RAY125	155	RAY135	155
R256	175	R266	202	R276	175	RAY106	155	RAY116	158	RAY126	154	RAY136	158
R257	175	R267	202	R277	175	----	----	RAY117	158	RAY127	155	RAY137	158
R258	175	----	----	R278	174	RAY108	155	RAY118	158	RAY128	158	RAY138	158
R259	180	R269	174	R279	175	RAY109	155	RAY119	154	RAY129	155	RAY139	158
R260	203	R270	175			RAY110	155	RAY120	155	RAY130	158	RAY140	158

24.MPU Board (C238)

RAY

SYMBOL NO.	INDEX NO.
RAY141	158
RAY142	158
RAY143	158
RAY144	158
RAY145	155
RAY146	158
RAY147	158
RAY148	155
RAY149	158
RAY150	155

SYMBOL NO.	INDEX NO.
RAY151	158
RAY152	158
RAY153	155
RAY154	158
RAY155	155
RAY156	158
RAY157	158
RAY158	157
RAY159	157
RAY160	157

SYMBOL NO.	INDEX NO.
RAY161	157
RAY162	155
RAY163	155
RAY164	155
RAY165	155
RAY166	155
RAY167	155
RAY168	169
RAY169	155
RAY170	169

SYMBOL NO.	INDEX NO.
RAY171	169
RAY172	155
RAY173	169
RAY174	158
RAY175	155
RAY176	158
RAY177	155
RAY178	155
RAY179	155
RAY180	155

SYMBOL NO.	INDEX NO.
RAY181	155

TP

SYMBOL NO.	INDEX NO.
TP101	-
TP102	103
TP103	-
TP104	-
TP105	-
TP106	103
TP107	-
TP108	103
TP109	103
TP110	103

SYMBOL NO.	INDEX NO.
TP111	-
TP112	-
TP113	-
TP114	-
TP115	-
TP116	-
TP117	-
TP118	-
TP119	-
TP120	-

VR

SYMBOL NO.	INDEX NO.
VR101	-
VR102	159

24.MPU Board (C238)

Index No.	Part No.	Description	Q'ty Per Assembly
*	C238 5100	MPU Board	1
1	A250 5503	IC - V-IPU	1
2	C232 5351	Connector - 68POLE	1
3	C236 5353	IC - GATC LC27047C-RJ0	1
4	C238 5355	IC - LC272A6BT-UC3	1
5	C238 5687	Heat Sink	1
6	C238 5124	Program I/O	1

Index No.	Part No.	Description	Q'ty Per Assembly
101	0951 3006Z	Philips Screw With Flat Washer - M3	
102	0951 3012Z	Philips Screw W/H Flat Washer - M3x12	
103	1100 1474	Test Pin	
104	1102 4205	CT Header - 6P	
105	1102 4684	Connector - 5566-06R-210	
106	1102 5412	Connector - 26P	
107	1102 5413	Connector - 28P	
108	1102 5414	Connector - 30P	
109	1102 6592	Connector - 8P	
110	1102 6595	Connector - 11P	
111	1102 7455	Connector - FX6-60S-0.8SV2	
112	1102 7857	Connector - B32B-KRWHK-1C	
113	1102 8063	Connector - 54373-0600	
114	1102 8400	Connector - B13B-CZHK-B-1	
115	1102 8406	Connector - B20B-CZWHK-B-1	
116	1102 8408	Connector - B24B-CZWHK-B-1	
117	1102 8410	Connector - B28B-CZWHK-B-1	
118	1102 8594	Connector - B15B-CZHK-B-1	
119	1102 8596	Connector - B30B-CZWHK-B-1	
120	1104 0588	DIP Socket - 28p	
121	1400 0455	Transistor - 2SC2873Y	
122	1400 0555	Transistor - DTC143EK	
123	1401 0400	Transistor Array - SLA4060	
124	1402 0804	Silicon Diode - 45V - 0.3A	
125	1402 1041	Diode - DA204U	
126	1402 1342	Diode - 1SR154-400	
127	1403 0829	Diode - SEC1201C	
128	1407 1535	IC - TD62308AP	
129	1407 2187	TTLIC - SN74LS07NS	
130	1407 4565	IC - TE6251	
131	1407 4696	IC - M48T58Y-70PC1	
132	1407 4870	CMOSIC - 74VHC08 TSSOP	
133	1407 4874	CMOSIC - 74VHC32 TSSOP	
134	1407 4879	CMOS IC - 74VHC74 TSSOP	
135	1407 4898	IC - 74VHC14 TSSOP	

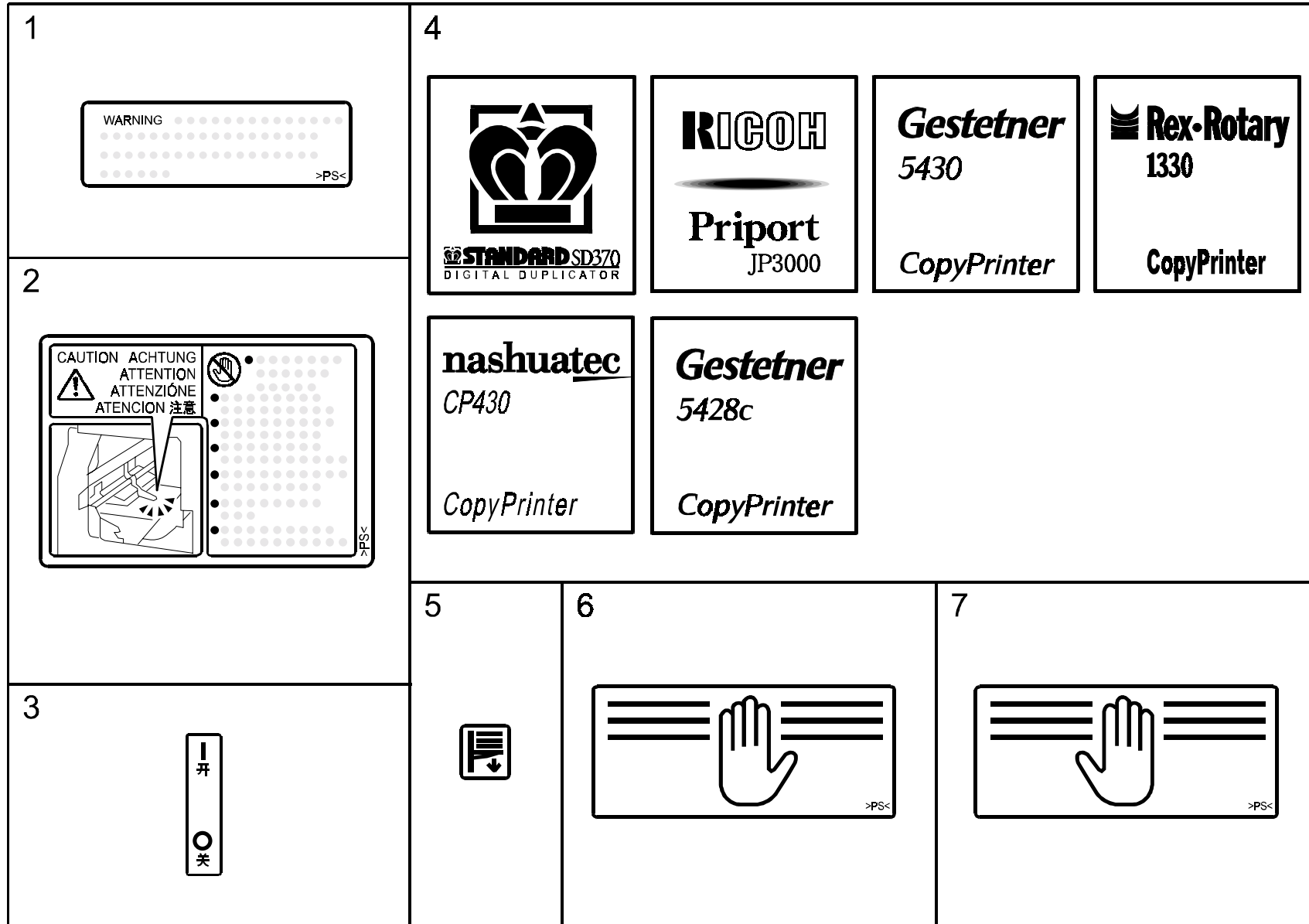
Index No.	Part No.	Description	Q'ty Per Assembly
136	1407 4900	IC - 74VHC138 TSSOP	
137	1407 4902	IC - 74VJC157 TSSOP	
138	1407 4919	IC - 74VHCT244 TSSOP	
139	1407 5032	IC - MBM29F400TC-70pFTN	
140	1407 5162	IC - HD6412350F20	
141	1407 5331	IC - TC7MB3245FK	
142	1408 0575	IC - M51957BFP	
143	1408 0595	IC - NJM2904M	
144	1408 0827	IC - TA8429H	
145	1408 1204	IC - TA8083P	
146	1408 1295	IC - UPC2933T	
147	1408 1408	IC - STK672-060	
148	1408 1410	IC - STK672-120	
149	1408 1466	Series Regulator - TA78M05S	
150	1408 1549	IC - STK672-210	
151	1503 0837	Oscillator - 21.576MHZ	
152	1503 0863	Oscilator - 14.7456MHz	
153	1503 0871	Oscilator - 44MHz	
154	1601 7751	Resistor - 4.7K Ω \pm 5%	
155	1601 7752	Resistor Array - 10K Ω \pm 5%	
156	1601 7796	Resistor Array - 2.2KO	
157	1601 7814	Resistor - 3.3K Ω \pm 5%	
158	1601 7867	Resistor - 33 Ω \pm 5% 1/16W	
159	1601 8608	Resistor - 200K Ω \pm 10% 0.5W	
160	1602 0987	Capacitor & Coil - 270pF 100V	
161	1602 7011	Capacitor - 270pF \pm 20% 50V	
162	1605 0744	Capacitor - EMK212F105Z	
163	1605 0781	Capacitor - 5pF 50V	
164	1605 1136	Ceramic Capacitor - 33000pF \pm 10% 25V	
165	1605 1161	Capacitor - 0.33 μ F \pm 10% 10V	
166	1605 1190	Ceramic Capacitor - 0.022 μ F \pm 10% 50V	
167	1607 0815	BLM41P600SPB	
168	1607 0870	Filter - BK1608HS121	
169	1607 1016	Filter Array - MZA3216R301A	
170	1607 1018	Filter - ACB1608H-120	

Index No.	Part No.	Description	Q'ty Per Assembly
171	1610 1234	Resistor - 47 Ω 1W \pm 5%	
172	1630 3151	Resistor - 150 Ω \pm 5% 1/10W	
173	1630 4101	Resistor - 100 Ω \pm 5% 1/16W	
174	1630 4102	Resistor - 1.0K Ω \pm 5% 1/16W	
175	1630 4103	Resistor - 10K Ω \pm 5% 1/16W	
176	1630 4105	Resistor - 1.0M Ω \pm 5% 1/16W	
177	1630 4244	Resistor - 240K Ω \pm 5% 1/16W	
178	1630 4271	Resistor - 270 Ω \pm 5% 1/16W	
179	1630 4330	Resistor - 33 Ω \pm 5% 1/8W	
180	1630 4332	Resistor - 3.3K Ω \pm 5% 1/16W	
181	1630 4471	Resistor - 470 Ω \pm 5% 1/16W	
182	1630 4472	Resistor - 4.7K Ω \pm 5% 1/16W	
183	1630 4473	Resistor - 47k Ω - \pm 5% - 1/16W	
184	1630 4514	Resistor - 510k Ω \pm 5.00% 1/16W	
185	1630 4683	Resistor - 68k Ω \pm 5% 1/16W	
186	1630 4824	Resistor - 820k Ω \pm 5% 1/16W	
187	1633 1001	Resistor - 1K Ω \pm 1% 1/10W	
188	1633 1002	Resistor - 10K Ω \pm 1% 1/10W	
189	1633 3741	Resistor - 3.7K Ω \pm 5% 1/10W	
190	1633 3831	Resistor - 3.83K Ω \pm 1% 1/10W	
191	1633 5101	Resistor - 5.1k Ω \pm 1% 1/10W	
192	1633 5621	Resistor - 5.62K Ω \pm 1% 1/10W	
193	1633 8200	Resistor - 820 Ω \pm 1% 1/10W	
194	1634 0000	Resistor - 0 Ω 1/16W	
195	1634 1000	Resistor - 100 Ω \pm 1% 1/16W	
196	1634 1600	Resistor - 160 Ω \pm 1% 1/16W	
197	1634 4700	Resistor - 470 Ω \pm 1% 1/16W	
198	1640 1101	Capacitor - 100 μ F- \pm 20% 16V	
199	1640 2470	Capacitor - 47 μ F \pm 20% 25V	
200	1640 5100	Capacitor - 10 μ F+20% 50	
201	1640 5101	Capacitor - 100 μ F \pm 20% 50V	
202	1652 1201	Resistor - 1.2K Ω \pm 1% 1/4W	
203	1652 4700	Resistor - 470 Ω \pm 1% 1/4W	
204	1653 1911	Resistor - 1.91K Ω \pm 1% 1/8W	
205	1660 0100	Capacitor - 10PF \pm 0.5pF 50V	

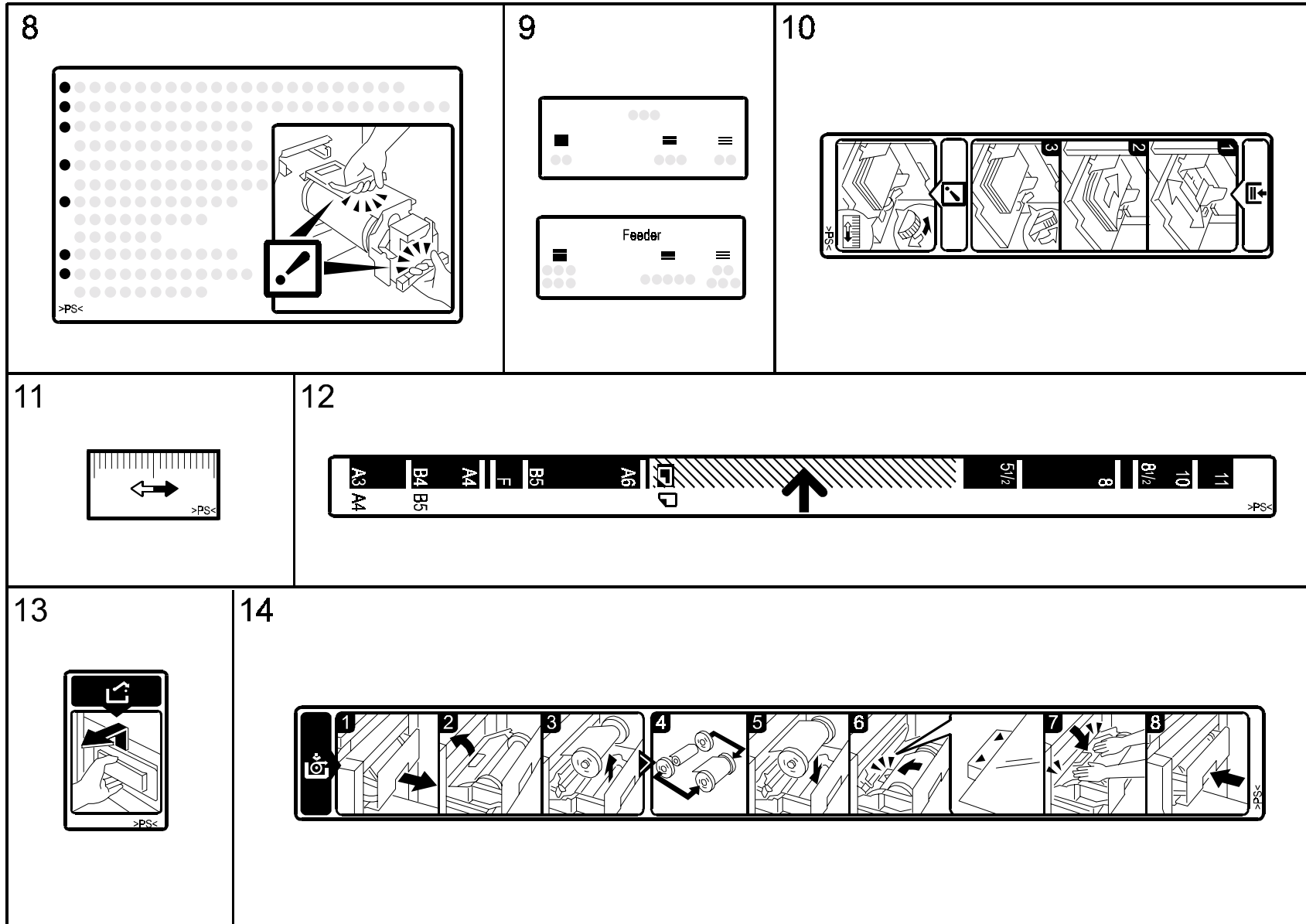
Index No.	Part No.	Description	Q'ty Per Assembly
206	1660 2101	Capacitor - 100pF - $\pm 10\%$ - 50V	
207	1660 2151	Capacitor - 150pF $\pm 20\%$ 35V	
208	1660 2220	Capacitor - 22pF $\pm 20\%$ 35V	
209	1660 2470	Capacitor - 47pF $\pm 5\%$ 50V	
210	1660 2471	Capacitor - 470pF - $\pm 5\%$ - 50V	
211	1660 4102	Capacitor - 1000pF $\pm 10\%$ 50V	
212	1660 4103	Capacitor - 10000pF - $\pm 10\%$ - 50V	
213	1660 8104	Capacitor - 0.1 μ F+80-20% 25V	
214	1902 0056	RAM - 256K X870NS G14	

Index No.	Part No.	Description	Q'ty Per Assembly

25.Decals And Documents (C238)

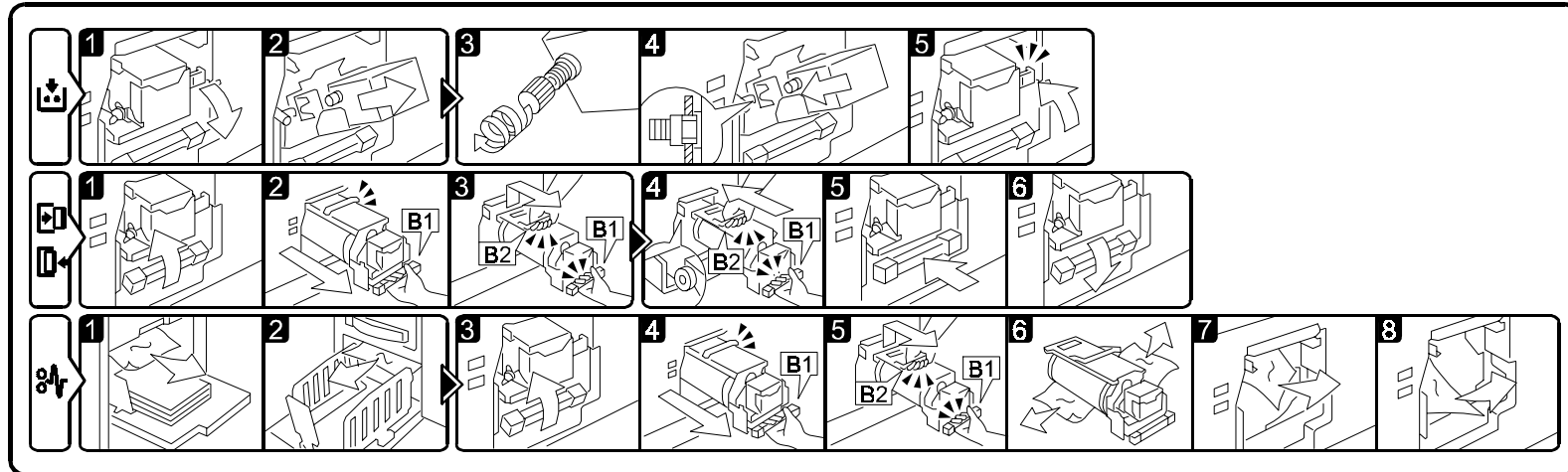


25. Decals And Documents (C238)

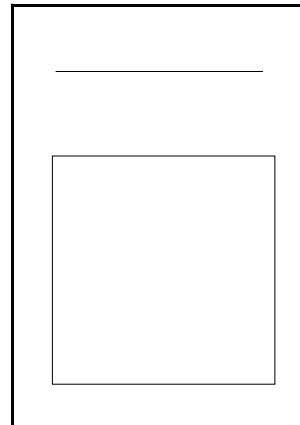


25.Decals And Documents (C238)

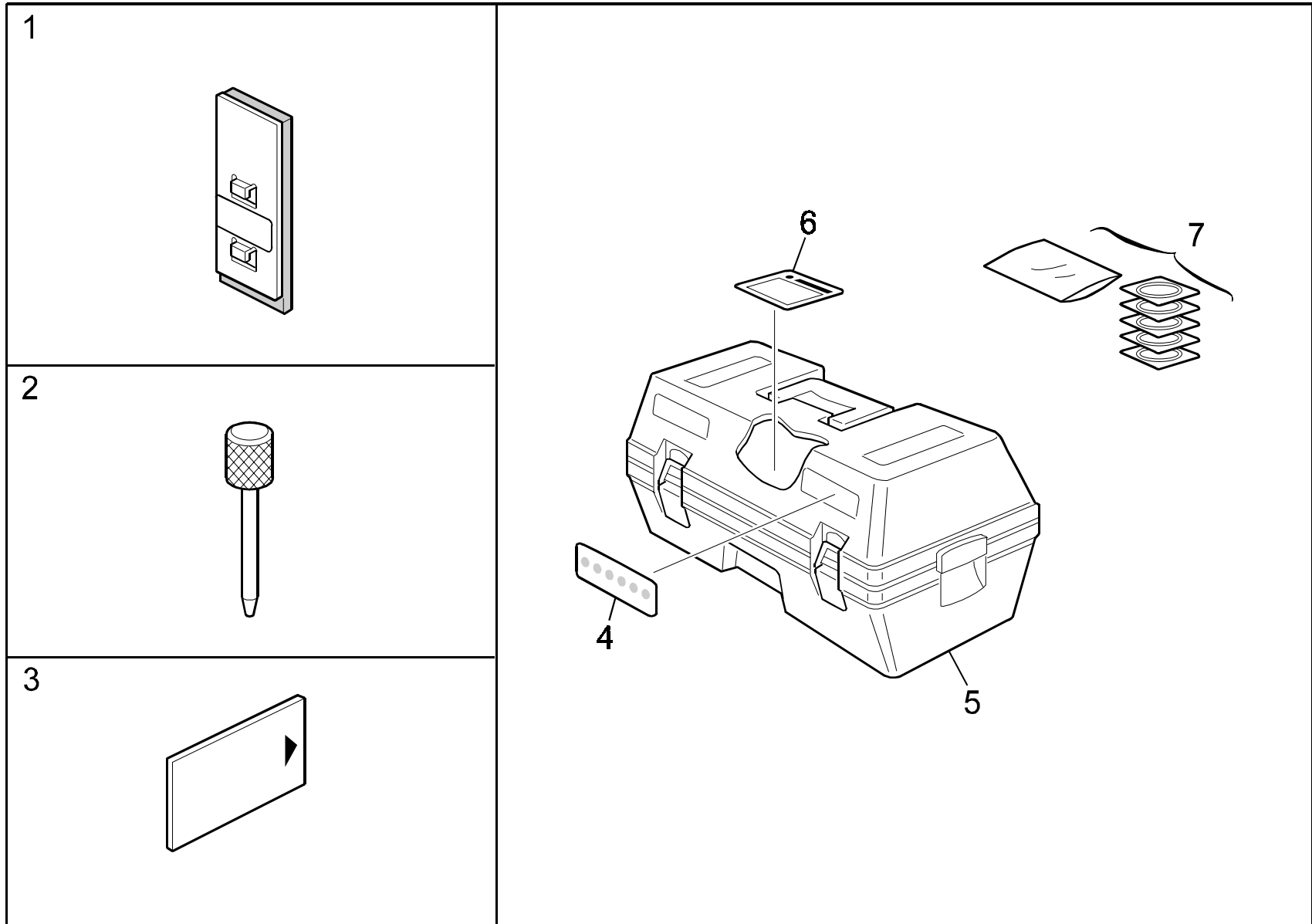
15





16



26. Accessories And Special Tools (C238)



26. Accessories And Special Tools (C238)

Index No.	Part No.	Description	Q'ty Per Assembly
1	C238 2771	Paper Plate Pad	2
2	A006 9104	Adjusting Scanner Pin (4PCS/SET)	2
3	A230 9352	Flash Memory Card - 4MB	1
4	C608 1265	Decal - Type 30 A3	1
5	C608 1000	Optional Drum Case	1
6	C608 1251	Decal - Drum Position	1
7	C608 2251	Drum Decal - Red	1
7	C608 2252	Drum Decal - Blue	1
7	C608 2253	Drum Decal - Green	1
7	C608 2254	Drum Decal - Brown	1
7	C608 2259	Decal - Shield Drum White	1
			

Index No.	Part No.	Description	Q'ty Per Assembly

Parts Index

PM Parts Index

Section Name	Part No.	Description in Service Manual	Description in Parts Catalog	Q'ty Per Assembly	Page and Index No.
Paper Feed Section (C238)	C238 2845	Friction Pad	Separation Pad	1	19- 21
Paper Regisrration (C238)	C238 2835	Paper Feed Roller	Paper Feed Roller	2	21- 15
Press Roller Section (C238)	C238 3064	Press Roller	Pressure Roller - A3	1	27- 14
Drum Unit 2 (C238)	C238 2304	Cloth Screen	Cloth Screen - A3	1	31- 1
	C609 2382	Cloth Screen	Cloth Screen - A4	1	31- 1
Drum Unit 4 (C238)	C238 2460	Ink Roller one-way Clutch	Ink Roller Drive Gear	1	35- 34
Vacuum Fan Unit (C238)	C238 3874	Paper Delivery Transport Belt	Delivery Belt - 478	1	37- 3

Parts Index

Part No.	Description	Page and Index No.
C238 1057	Rubber Foot	51- 22
C238 1068	Front Grip Plate	51- 21
C238 1070	Rack Guide	51- 19
C238 1151	Main Motor Bracket	43- 12
C238 1152	Main Motor Gear	43- 13
C238 1154	Lower Drum Drive Plate	43- 14
C238 1156	Belt Tensioner	43- 15
C238 1160	Drum Drive Gear Ass'y	43- 10
C238 1169	Upper Drum Drive Plate	43- 22
C238 1172	Main Belt - 150S3M588	43- 17
C238 1176	Clutch Gear	43- 19
C238 1177	Roller Bracket	43- 18
C238 1180	Air Pump Unit	43- 3
C238 1181	Air Pump Bracket	43- 7
C238 1186	Piston Gear	43- 1
C238 1187	Piston Pin	43- 4
C238 1229	Decal - Ink	63- 1
C238 1241	Rear Scanner Cover	7- 19
C238 1242	Left Scanner Cover	7- 10
C238 1255	Front Cover	7- 4
C238 1269	Emblem Decal - RIC	63- 4
C238 1269	Emblem Decal - RIC	7- 6
C238 1279	Front Cover Ass'y	7- 1
C238 1290	Door Cover	7- 5
C238 1291	Safe Switch Bracket	7- 2
C238 1301	Operation Sheet	7- 3
C238 1301	Operation Sheet	63- 15
C238 1312	Decal - Exit Pawl	63- 2
C238 1312	Decal - Exit Pawl	7- 8
C238 1314	Decal - Main Switch - CHN	7- 16
C238 1314	Decal - Main Switch - CHN	63- 3
C238 1320	Emblem Decal - SD370	7- 6
C238 1320	Emblem Decal - SD370	63- 4
C238 1321	Emblem Decal - GES5430	63- 4
C238 1321	Emblem Decal - GES5430	7- 6

Part No.	Description	Page and Index No.
C238 1322	Emblem Decal - REX1330	63- 4
C238 1322	Emblem Decal - REX1330	7- 6
C238 1323	Emblem Decal - NSA CP430	63- 4
C238 1323	Emblem Decal - NSA CP430	7- 6
C238 1324	Emblem Decal - GES5430	63- 4
C238 1324	Emblem Decal - GES5430	7- 6
C238 1339	Key Counter Plate Nut	49- 1
C238 1352	Decal - Paper Table	63- 5
C238 1352	Decal - Paper Table	7- 15
C238 1359	Decal - Paper Table	7- 17
C238 1360	Rear Cover Ass'y - Left	7- 21
C238 1361	Rear Cover Ass'y - Right	7- 22
C238 1363	Control Unit Cap	7- 12
C238 1364	Control Board Cap	7- 14
C238 1365	Card Cap	7- 13
C238 1377	Connector Bracket	47- 13
C238 1385	Scanner Cover Bracket	7- 18
C238 1386	Front Cover Bracket1 - Upper	51- 15
C238 1387	Front Cover Bracket2 - Upper	49- 12
C238 1388	Front Cover Bracket3 - Upper	49- 13
C238 1389	Rear Cover Bracket - Lower	47- 20
C238 1390	Upper Hinge	7- 9
C238 1391	Lower Hinge	7- 7
C238 1396	Rear Cover Bracket - Right Upper	47- 4
C238 1397	Rear Cover Bracket - Middle Upper	47- 6
C238 1398	Rear Cover Bracket - Left Upper	47- 19
C238 1399	Rear Cover Bracket - Middle Lower	43- 21
C238 1451	Operation Panel Ass'y - NA	9- *
C238 1452	Operation Panel Ass'y - EU	9- *
C238 1453	Operation Panel Ass'y - CHN	9- *
C238 1454	Operation Panel - Metric	9- *
C238 1478	Panel Base - CHN	9- 2
C238 1480	Panel Base - NA	9- 2
C238 1481	Panel Base - EU	9- 2
C238 1486	Left Keys	9- 6

Part No.	Description	Page and Index No.
C238 1487	Right Keys	9- 8
C238 1488	Center Keys	9- 7
C238 1490	Panel Cover	9- 1
C238 1491	Left Sheet - NA	9- 3
C238 1492	Middle Sheet - NA	9- 4
C238 1496	Left Sheet - EU	9- 3
C238 1497	Middle Sheet - EU	9- 4
C238 1501	Left Sheet - CHN	9- 3
C238 1502	Middle Sheet - CHN	9- 4
C238 1503	Middle Sheet - Metric	9- 4
C238 1950	Joint Pin	23- 19
C238 1955	Joint Shaft	23- 20
C238 1956	Guide Plate	23- 9
C238 1958	MPU Bracket	47- 5
C238 1961	Rear Spring	23- 7
C238 1962	Front Spring	23- 5
C238 1971	Decal - Left Hand	63- 6
C238 1971	Decal - Left Hand	23- 23
C238 1972	Decal - Right Hand	23- 24
C238 1972	Decal - Right Hand	63- 7
C238 1990	Right Scanner Stay	51- 13
C238 1992	Platen Bracket	51- 17
C238 1995	Plotter Stay - Shaft	27- 9
C238 1996	Cover	51- 14
C238 1998	Left Scanner Stay	51- 8
C238 2010	Plotter Rear Plate	25- 21
C238 2020	Plotter Front Plate	25- 27
C238 2024	Plotter Base - 1	25- 22
C238 2025	Plotter Base - 2	25- 28
C238 2026	Thermal Head Base	25- 14
C238 2030	Plotter Cover Side Plate - Rear	23- 8
C238 2036	Release Lever	23- 15
C238 2037	Lever Knob	23- 16
C238 2039	Lever Spring	23- 14
C238 2040	Plotter Cover Side Plate - Front	23- 4

Part No.	Description	Page and Index No.
C238 2045	Plotter Cover	23- 2
C238 2046	T/H Guide Plate	23- 3
C238 2048	Guide Sheet	23- 30
C238 2052	Master Position Bracket	25- 8
C238 2054	Position Spring	25- 10
C238 2055	Master Position Plate	25- 9
C238 2063	Brake Lever	25- 6
C238 2065	Brake Roller Spring	25- 7
C238 2076	Brake Roller	25- 5
C238 2078	Brake Roller Shoe	25- 35
C238 2082	Upper Brake Guide Plate	25- 2
C238 2085	Lower Brake Guide Plate	25- 1
C238 2093	Thermal Head Guide	25- 17
C238 2095	Master Guide Plate	25- 18
C238 2104	Platen Roller - A3	23- 17
C238 2106	Ball Bearing - 6x13x5mm	23- 13
C238 2108	Lower Cover	23- 18
C238 2112	Tension Roller - A3	23- 6
C238 2132	Plotter Cover	23- 21
C238 2133	Platen Gear - 1	25- 31
C238 2151	Thermal Head - A3	25- 11
C238 2157	Thermal Head Spring	25- 12
C238 2160	Rear Slide Rail	25- 23
C238 2170	Front Slide Rail	25- 30
C238 2177	Rear Plotter Cover	23- 11
C238 2178	Front Plotter Cover	23- 28
C238 2230	Brake Shoe	25- 20
C238 2273	Cover Sensor Bracket	25- 24
C238 2277	Master Sensor Bracket	25- 16
C238 2281	Antistatic Brush	23- 1
C238 2283	Antistatic Brush	25- 3
C238 2304	Cloth Screen - A3	31- 1
C238 2360	Front Drum Flange - A3	33- 8
C238 2362	Rear Drum Flange - A3	33- 10
C238 2368	Drum Drive Gear	33- 11

Part No.	Description	Page and Index No.
C238 2369	Ink Roller Drive Gear	33- 16
C238 2370	Drum Position Plate	33- 15
C238 2371	Spacer	33- 17
C238 2383	Large Sandpaper	31- 5
C238 2384	Cloth Screen Mylar	31- 18
C238 2386	Small Sandpaper	31- 3
C238 2388	Screen Holder 1	31- 6
C238 2389	Screen Holder 2	31- 17
C238 2390	Drum Sensor Sheet	31- 4
C238 2395	Holder	33- 13
C238 2396	Stopper	33- 12
C238 2397	Front Drum Shaft Collar	35- 23
C238 2401	Clamper Ass'y	33- 1
C238 2405	Clamper Holder	33- 7
C238 2406	Clamper Shaft	33- 5
C238 2407	Clamper Exit Pawls	33- 2
C238 2410	Clamper Rear Spring	33- 6
C238 2411	Clamper Front Spring	33- 9
C238 2412	Clamper Cam	33- 19
C238 2413	Screen Sensor Sheet - Trailing Edge	33- 18
C238 2427	Pump Drive Slider	29- 37
C238 2438	Retainer Bushing	29- 16
C238 2447	Rear Ink Blade	35- 28
C238 2448	Front Ink Blade	35- 27
C238 2450	Ink Roller - A3	35- 12
C238 2454	Doctor Roller - A3	35- 13
C238 2455	Rear Side Plate - Ink	35- 15
C238 2457	Front Side Plate - Ink	35- 20
C238 2460	Ink Roller Drive Gear	35- 34
C238 2463	Drum Main Stay - A3	35- 11
C238 2465	Drum Stay Shaft	35- 14
C238 2466	Pipe Bracket	35- 2
C238 2467	Ink Pipe	35- 1
C238 2468	Ground Plate	35- 4
C238 2469	Doctor Roller Drive Gear	35- 29

Part No.	Description	Page and Index No.
C238 2470	Ink Sensor Bracket	35- 10
C238 2471	Ink Sensor	35- 9
C238 2475	Drum Shaft Ass'y - A3	35- 8
C238 2476	Ink Tube	35- 3
C238 2483	Side Plate	35- 5
C238 2485	Drum Shaft Joint	35- 31
C238 2487	Front Shaft Collar	35- 21
C238 2488	Rubber Bushing	35- 33
C238 2489	Rubber Bushing Plate	35- 32
C238 2490	Rear Bank Plate	35- 19
C238 2493	Front Bank Plate	35- 17
C238 2507	Drum Frame Ass'y	31- 2
C238 2510	Right Arm	29- 23
C238 2511	Left Arm	29- 24
C238 2512	Lower Drum Grip	29- 27
C238 2513	Arm Shaft	29- 25
C238 2514	Grip Bracket	29- 26
C238 2519	Front Drum Side Plate	33- 4
C238 2519	Front Drum Side Plate	29- 31
C238 2521	Pump Slider Bracket	29- 9
C238 2524	Left Drum Grip	31- 9
C238 2525	Right Drum Grip	31- 10
C238 2526	Ink Holder Cam	29- 32
C238 2529	Ink Pump - 600	29- 8
C238 2532	Pump Motor Bracket	29- 17
C238 2533	Ink Tube	29- 14
C238 2534	Pump Drive Gear	29- 7
C238 2535	Pump Drive Relay Gear	29- 11
C238 2536	Pump Motor Gear	29- 12
C238 2538	Connector Bracket	29- 33
C238 2541	Harness Cover	29- 30
C238 2543	Tube Joint	29- 15
C238 2546	Ink Holder Spring	29- 4
C238 2547	Board Cover	29- 22
C238 2548	Pump Cover	29- 29

Part No.	Description	Page and Index No.
C238 2549	Board Bracket	29- 20
C238 2552	Drum Grip	31- 8
C238 2553	Decal - Drum	63- 8
C238 2553	Decal - Drum	31- 19
C238 2555	Rear Drum Side Plate	33- 14
C238 2556	Left Shaft - Holder	29- 2
C238 2557	Right Shaft - Holder	29- 35
C238 2559	Ink Holder Grip	29- 3
C238 2562	Motor Cover	29- 28
C238 2570	Stopper Bracket	33- 24
C238 2571	Drum Stopper	33- 23
C238 2572	Stopper Spring	33- 22
C238 2573	Stepped Screw	29- 6
C238 2574	Slider	29- 1
C238 2580	Metal Screen - A3	33- 20
C238 2582	Sheet - Metal Screen	33- 21
C238 2585	Screw Mm6x1.7	31- 11
C238 2585	Screw Mm6x1.7	33- 3
C238 2601	Drum Stay	27- 7
C238 2605	Drum Position Pin - Left	27- 30
C238 2607	Drum Position Pin - Right	27- 28
C238 2611	Connector Bracket	49- 10
C238 2700	Paper Feed Tray	17- 21
C238 2771	Paper Plate Pad	65- 1
C238 2771	Paper Plate Pad	17- 22
C238 2779	Paper Tray Spring	17- 2
C238 2781	Paper Tray Shaft	19- 16
C238 2785	Tray Motor Bracket	49- 7
C238 2790	Front Tray Rack	17- 6
C238 2793	Paper Size Sensor Stay	17- 8
C238 2796	Rear Tray Rack	17- 11
C238 2800	Tray Lift Bracket	17- 3
C238 2805	Tray Lift Slider	17- 4
C238 2806	Tray Position Feeler	17- 12
C238 2825	Sensor Bracket	17- 14

Part No.	Description	Page and Index No.
C238 2832	Feed Arm	21- 16
C238 2835	Paper Feed Roller	21- 15
C238 2839	Feed Drive Shaft	21- 18
C238 2842	Spacer	21- 17
C238 2845	Separation Pad	19- 21
C238 2849	Tension Spring - 18N	45- 4
C238 2851	Arm Stopper	21- 30
C238 2853	Sensor Cleaning Spring (CHN)	19- 32
C238 2855	Sensor Cleaning Lever (CHN)	19- 29
C238 2856	Sensor Cleaning Brush (CHN)	19- 30
C238 2861	Paper Actuator	21- 2
C238 2864	Paper Sensor Roller	21- 34
C238 2865	Retainer	21- 3
C238 2867	Paper Sensor Bracket	21- 4
C238 2871	Paper Separation Stay	19- 22
C238 2873	Adjusting Screw	19- 24
C238 2874	Screw Holder	19- 23
C238 2875	Separation Adjuster	19- 18
C238 2877	Separation Spring Holder	19- 19
C238 2878	Separation Spring	19- 20
C238 2887	Front Guide Plate Bracket	19- 11
C238 2889	Rear Guide Plate Bracket	19- 12
C238 2891	Upper Registration Roller Ass'y	19- 27
C238 2893	Upper Registration Arm	19- 5
C238 2894	Upper Registration Roller	19- 1
C238 2898	Upper Registration Shaft1	19- 2
C238 2900	Upper Registration Shaft2	19- 4
C238 2901	Registration Pressure Spring	19- 9
C238 2904	Lower Registration Roller	19- 15
C238 2905	Timing Belt - 110-XL-050	45- 22
C238 2909	Guide Plate	19- 10
C238 2914	Guide Plate Sheet	19- 26
C238 2921	Registration Sensor Bracket	19- 7
C238 2922	Registration Roller Follower	19- 8
C238 2928	Paper Pressure Lever	21- 6

Part No.	Description	Page and Index No.
C238 2929	Spring Plate	21- 9
C238 2931	Paper Pressure Arm	21- 10
C238 2932	Lever Knob	21- 14
C238 2935	Paper Pressure Roller	21- 12
C238 2936	Arm Bracket	21- 11
C238 2939	Spring	21- 8
C238 2940	Decal - Paper Pressure - CHN	25- 29
C238 2940	Decal - Paper Pressure - CHN	63- 9
C238 2942	Decal - Paper Pressure - NA	25- 29
C238 2942	Decal - Paper Pressure - NA	63- 9
C238 2946	Paper Feed Drive Gear	21- 22
C238 2947	Pick-up Pully	21- 23
C238 2948	Timing Belt - 140-XL-050	45- 5
C238 2950	Paper Feed Tray	17- 9
C238 2951	Front Stay	17- 33
C238 2952	Rear Stay	17- 24
C238 2954	Tray Base	17- 37
C238 2956	Tray Cover	17- 5
C238 2957	Sensor Cover	17- 7
C238 2960	Front Arm	17- 36
C238 2961	Rear Arm	17- 35
C238 2964	Tray Adjuster	17- 25
C238 2970	Lock Shaft	17- 32
C238 2973	Lock Knob	17- 26
C238 2976	Front Side Fence Rack	17- 27
C238 2980	Side Fence	17- 18
C238 2981	Rear Side Fence Rack	17- 34
C238 2983	Side Fence Spacer	17- 28
C238 2986	Sensor Bracket - Paper Feed Tray	17- 15
C238 2987	Side Fence Gear	17- 29
C238 2992	Paper Feed Stay	21- 13
C238 2993	Harness Bracket	21- 27
C238 2994	Harness Cover	21- 29
C238 2996	Decal - Paper Set	17- 42
C238 2996	Decal - Paper Set	63- 10

Part No.	Description	Page and Index No.
C238 2997	Decal - Scale	63- 11
C238 2997	Decal - Scale	17- 40
C238 2998	Decal - Paper Size	63- 12
C238 2998	Decal - Paper Size	17- 1
C238 3064	Pressure Roller - A3	27- 14
C238 3100	Front Pressure Shaft	27- 29
C238 3103	Rear Pressure Shaft	27- 26
C238 3110	Front Pressure Arm	27- 16
C238 3113	Rear Pressure Arm	27- 17
C238 3116	Stopper Bracket	27- 19
C238 3117	Pressure Roller Stopper	27- 18
C238 3120	Front Spring Anchor	27- 32
C238 3123	Rear Spring Anchor	27- 21
C238 3126	Pressure Spring Screw	27- 12
C238 3127	Pressure Spring Nut	27- 10
C238 3130	Front Solenoid Ass'y	27- 33
C238 3131	Front Solenoid Bracket	27- 35
C238 3134	Rear Solenoid Ass'y	27- 25
C238 3135	Rear Solenoid Bracket	27- 24
C238 3137	Solenoid Spring	27- 23
C238 3140	Pressure Spring - A3	27- 13
C238 3154	Rear Release Plate	27- 22
C238 3155	Front Release Plate	27- 34
C238 3400	Master Ejection Unit	41- *
C238 3451	Front Side Plate	41- 49
C238 3454	Rear Side Plate	41- 50
C238 3457	Master Eject Base	41- 20
C238 3460	Air Knife Bracket	41- 26
C238 3462	Master Eject Stay	41- 10
C238 3464	Motor Cover	41- 51
C238 3466	Lower Eject Roller	41- 19
C238 3468	Upper Eject Roller	41- 18
C238 3469	Belet Gear	41- 39
C238 3470	Timing Belt - S2M 66Z	41- 32
C238 3472	Position Feeler	41- 34

Part No.	Description	Page and Index No.
C238 3473	Pressure Plate	41- 14
C238 3474	Pressure Shaft	41- 13
C238 3475	Pressure Guide Plate	41- 7
C238 3477	Eject Box Cover	41- 2
C238 3481	Master Eject Cover	41- 5
C238 3484	Push Switchcover	41- 53
C238 3485	Front Spring Bracket	41- 31
C238 3486	Rear Spring Bracket	41- 38
C238 3490	Master Eject Box	41- 4
C238 3495	Rear Holder	41- 15
C238 3497	Front Holder	41- 9
C238 3500	Eject Connector Bracket	47- 15
C238 3518	First Gear	41- 43
C238 3519	Second Gear	41- 42
C238 3531	Eject Slide Rail - Rear	51- 23
C238 3532	Eject Slide Rail - Front	51- 11
C238 3551	Eject Unit Stay	51- 12
C238 3556	Torque Limiter - 2500G	41- 8
C238 3600	Decal - Eject Box	41- 1
C238 3600	Decal - Eject Box	63- 13
C238 3800	Paper Delivery Unit	37- *
C238 3801	Paper Delivery Stay	51- 5
C238 3852	Fan Bracket	37- 10
C238 3855	Guide Plate	37- 6
C238 3857	Motor Bracket	37- 12
C238 3861	Delivery Duct	37- 9
C238 3866	Front Adjust Plate	51- 3
C238 3867	Rear Adjust Plate	51- 2
C238 3874	Delivery Belt - 478	37- 3
C238 3875	Drive Gear	37- 5
C238 3876	Drive Shaft	37- 2
C238 3877	Driven Shaft	37- 8
C238 3879	Timing Belt	37- 4
C238 3881	Front Bracket	51- 10
C238 3882	Rear Bracket	51- 7

Part No.	Description	Page and Index No.
C238 3883	Lower Bracket	51- 16
C238 3885	Antistatic Brush - Center	51- 6
C238 3886	Antistatic Brush	51- 4
C238 3887	Antistatic Brush - Long	51- 1
C238 3889	Drive Roller	37- 15
C238 3890	Drive Roller - Drum Side	37- 7
C238 4000	Clamp Drive Base	45- 10
C238 4010	Clamp Drive Unit	45- 17
C238 4051	Clamp Drive Rack	45- 11
C238 4053	Rack Spacer	45- 18
C238 4055	Master Clamp Lever	45- 7
C238 4058	Master Clamp Guide	45- 6
C238 4059	Eject Clamp Lever	45- 8
C238 4061	Eject Clamp Guide	45- 9
C238 4062	Rack Drive Gear	45- 13
C238 4063	Slow Down Gear	45- 12
C238 4064	Clamp Drive Side Plate	45- 15
C238 4070	Eject Clamp Pusher	45- 19
C238 4071	Sensor Guide	45- 24
C238 4201	Paper Exit Table	39- *
C238 4207	Paper Exit Table - CHN	39- *
C238 4349	Spring	43- 20
C238 4349	Spring	27- 36
C238 4350	Air Knife Duct	41- 23
C238 4355	Piston Ass'y	43- 2
C238 4365	Exit Pawl	27- 2
C238 4369	Exit Pawl Hose	43- 9
C238 4390	Paper Exit Base	39- 27
C238 4395	Front Lower Guide	39- 30
C238 4396	Rear Lower Guide	39- 20
C238 4397	Front Lower Guide - CHN	39- 30
C238 4398	Rear Lower Guide - CHN	39- 20
C238 4406	End Plate Knob	39- 23
C238 4411	Front Side Fence	39- 13
C238 4412	Rear Side Fence	39- 1

Part No.	Description	Page and Index No.
C238 4413	Side Fence Base	39- 14
C238 4415	Front Wing	39- 9
C238 4416	Rear Wing	39- 2
C238 4417	Wing Stopper	39- 4
C238 4419	End Fence Ass'y	39- 38
C238 4420	End Fence Sub Ass'y	39- 28
C238 4421	Slider Cover	39- 12
C238 4422	End Fence Case	39- 22
C238 4425	Wing Link	39- 7
C238 4431	Front Table Hinge	39- 17
C238 4432	Rear Table Hinge	39- 31
C238 4440	Side Fence Spacer	39- 40
C238 4441	Front Table Bracket	39- 18
C238 4442	Rear Table Bracket	39- 16
C238 4450	Hinge Screw	39- 36
C238 4456	Slider Cover	39- 39
C238 4479	Bushing	27- 31
C238 4481	Exit Pawl Drive Arm 1	27- 3
C238 4482	Exit Pawl Shaft	27- 1
C238 4483	Exit Pawl Drive Arm 2	27- 4
C238 4485	Exit Pawl Drive Arm 3	27- 5
C238 5100	MPU Board	47- 1
C238 5100	MPU Board	57- *
C238 5114	Program MPU	47- 24
C238 5124	Program I/O	47- 22
C238 5124	Program I/O	57- 6
C238 5140	Ink Borad	29- 21
C238 5150	Motor Control Board	47- 21
C238 5180	Operation Panel Board	9- 9
C238 5200	DC Harness	9- 5
C238 5200	DC Harness	49- 8
C238 5200	DC Harness	27- 15
C238 5202	Power Supply Harness - DC	47- 9
C238 5205	AC Harness	49- 14
C238 5205	AC Harness	47- 11

Part No.	Description	Page and Index No.
C238 5210	Plotter Relay Harness	47- 10
C238 5210	Plotter Relay Harness	27- 40
C238 5210	Plotter Relay Harness	21- 26
C238 5212	Paper Sensor Harness	21- 37
C238 5215	Drum Relay Harness	49- 9
C238 5220	Scanner Harness	13- 10
C238 5229	Drum Sensor Harness	27- 27
C238 5236	Harness - Paper Feed Tray	17- 17
C238 5237	Paper Tray Harness	17- 10
C238 5246	Thermal Head DC Harness	25- 32
C238 5247	Thermal Head Data Harness	25- 34
C238 5248	Plotter Harness	25- 33
C238 5250	Drum Harness	29- 34
C238 5252	Ink Sensor Harness	35- 24
C238 5272	Paper Delivery Harness	37- 13
C238 5275	Motor Relay Harness	37- 16
C238 5280	Master Eject Harness	41- 41
C238 5300	DC Power Supply Unit - 352W (CHN)	47- 12
C238 5310	DC Power Supply Unit - 328W	47- 12
C238 5355	IC - LC272A6BT-UC3	57- 4
C238 5601	MPU Bracket	47- 2
C238 5609	Drum Sensor Bracket2	27- 11
C238 5611	Drum Sensor Bracket1	27- 20
C238 5613	Drum Sensor Bracket3	27- 8
C238 5627	Insulating Sheet - Power Supply Unit	47- 23
C238 5630	Tape Marker Bracket	47- 16
C238 5632	Interface Bracket	47- 3
C238 5645	Safety Switch Lever	49- 5
C238 5646	Safety Switch Spring Plate	49- 4
C238 5650	Main Switch Bracket	49- 15
C238 5651	Total Counter Bracket	49- 16
C238 5660	Decal - Master Set	7- 20
C238 5660	Decal - Master Set	63- 14
C238 5670	Cord Bracket	47- 17
C238 5685	Safety Switch Bracket	49- 2

Part No.	Description	Page and Index No.
C238 5687	Heat Sink	57- 5
C238 5729	Motor Bracket - Feed Roller	45- 21
C238 5731	Feed Motor Bracket	45- 3
C238 5801	Stepper Motor - 56x64	45- 1
C238 5803	DC Motor - 7.2W MM34	29- 18
C238 5812	Stepper Motor	37- 1
C238 5821	Power Supply Cord - 115V	47- 18
C238 5822	Power Supply Cord - CHN	47- 18
C238 5823	Power Supply Cord - 230V	47- 18
C238 5841	Stepper Motor - DC3.7V	25- 19
C238 8600	Operating Instructions - English (RIC)	63- 16
C238 8608	Operating Instructions - English (RIC-AA)	63- 16
C238 8688	Operating Instructions - English (GES-AA)	63- 16
C238 8690	Operating Instructions - English (NRG)	63- 16
C238 8696	Operating Instructions - English	63- 16
C238 8697	Operating Instructions - English	63- 16
C238 8698	Operating Instructions - English (STD)	63- 16

Part No.	Description	Page and Index No.
A006 9104	Adjusting Scanner Pin (4PCS/SET)	65- 2
A100 1714	Reflector	13- 15
A193 1752	Left Scale Guide	11- 11
A193 1759	Stepped Screw	11- 7
A193 1766	Wire Clamp	13- 4
A193 1767	1st Mirror Holder	13- 7
A193 1769	Clamp - Rear Wire	13- 6
A193 1783	Tension Spring	15- 3
A193 1816	Slide Rail	15- 7
A193 1829	Ball Bearing - M8	15- 16
A230 9352	Flash Memory Card - 4MB	65- 3
A250 1752	Exposure Glass	11- 9
A250 1784	1st Mirror	13- 8
A250 5503	IC - V-IPU	57- 1
A250 5736	Lamp Stabilizer	13- 14
A267 1089	Grounding Plate - Upper Rear	21- 28
A267 1089	Grounding Plate - Upper Rear	51- 9
A267 1671	Carriage - No.2 Ass'y	15- 11
A267 1743	Bracket - Scale	11- 5
A267 1752	1st Scanner Housing	13- 5
A267 1758	Harness Guide - Exposure Lamp	13- 2
A267 1776	Guide - FPC	15- 9
A267 1777	Mirror Holder	15- 8
A267 1811	Front Stay Bracket	15- 1
A267 1812	Rear Stay Bracket	15- 24
A267 1813	Scanner Frame	11- 2
A267 1814	Hinge Bracket - Platen Cover	11- 1
A267 1815	Right Inner Cover	11- 10
A267 1816	Guide - Flexible Board	15- 15
A267 1817	Slide Rail - 2	15- 6
A267 1819	Insulating Sheet - Side Plate	15- 14
A267 1820	Sheet - Photointerrupter	11- 12
A267 1825	Scanner Drive Shaft	15- 19
A267 1846	Idler Bracket	15- 4
A267 1849	Tension Bracket	15- 2

Part No.	Description	Page and Index No.
A267 1853	Pulley - Front Left	15- 5
A267 1854	Pulley - Rear Left	15- 13
A267 5703	Flexible Cable	13- 3
B024 1251	Upper Rear Cover - Scanner	7- 11
B024 1680	Left Scale	11- 6
B024 1701	Inner Back Scale	11- 8
C200 4723	Adjusting Plate - Doctor Roller	35- 26
C200 4748	Gear - 45T	35- 25
C200 4814	Bushing - 6x10x55mm	29- 10
C201 4604	Drum Rail Roller	31- 15
C201 4665	Bearing Holder	35- 16
C201 4665	Bearing Holder	19- 13
C201 5015	Seal - M10	17- 19
C201 5051	Pinion - 24t	19- 17
C201 5134	Bearing Holder	43- 23
C203 5135	Bushing - 10x14x5.9	19- 28
C203 8137	Master Sensor	41- 25
C207 4672	Gear - 36Z	35- 18
C209 3133	Retaining Ring - M6	21- 33
C209 4711	Hose Band	43- 8
C209 4711	Hose Band	35- 30
C209 4713	Hose Band	35- 7
C209 4713	Hose Band	29- 13
C209 5220	Spacer - 4x20x6	21- 7
C209 6168	End Fence Washer	17- 31
C209 8288	Table Down Switch	49- 11
C213 6043	Air Pump Cylinder	43- 6
C217 4426	Shoulder Screw	39- 35
C217 4426	Shoulder Screw	45- 20
C217 5102	Spring Washer	23- 12
C217 5102	Spring Washer	29- 5
C217 8446	Photointerruptor - Master Eject	41- 12
C227 6156	Upper Guide Shaft	39- 5
C229 1071	Grip Plate - Short	47- 8
C229 1071	Grip Plate - Short	51- 20

Part No.	Description	Page and Index No.
C229 1072	Grip Guide Bracket	47- 7
C229 1145	Belt Tension Roller	43- 16
C229 1992	Slide Rail	25- 26
C229 1994	Middle Rail Stopper Ass'y	23- 31
C229 2211	Cutter Unit	23- 10
C229 2275	Plotter Rail	51- 18
C229 2276	Middle Plotter Rail	51- 24
C229 2390	Stepped Screw	31- 16
C229 2391	Stopper Bracket	31- 12
C229 2392	Stopper Guide	31- 13
C229 2394	Spring Plate	31- 7
C229 2396	Spring Plate	31- 14
C229 2525	Bushing - Pump Drive Gear	29- 36
C229 2544	Ink Roller Ring	35- 22
C229 2615	Slide Rail Roller	27- 6
C229 2633	Stepped Screw	49- 19
C229 2838	Pick-up Roller Shaft	21- 19
C229 2840	Pad	17- 20
C229 2907	Registration Roller Pulley - 14Z	19- 14
C229 2946	Motor Pulley	45- 2
C229 2947	Drive Pulley - Paper Separation	21- 20
C229 2949	Timing Belt - 75-MXL-64	21- 21
C229 3557	Gear - 17Z	41- 48
C229 4376	End Fence Cushion	39- 29
C229 5155	Paper Size Sensor Board	17- 44
C229 5803	DC Motor - 5.0W	41- 37
C229 5807	Photosensor - GP2A25	19- 6
C229 5811	DC Motor - 50W	41- 27
C229 5814	DC Motor - 24V	49- 6
C229 5825	Master Sensor	25- 15
C231 2135	Platen Gear - 2	25- 13
C231 2146	Platen Roller Gear	23- 27
C231 2147	Idler Gear	23- 26
C231 2148	Tension Roller Gear	23- 22
C231 2234	Brake Pad	25- 4

Part No.	Description	Page and Index No.
C231 2766	Pressure Pin	19- 3
C231 2965	Core	17- 45
C231 2971	Lock Cam	17- 41
C231 2976	Washer	17- 38
C231 2985	Spring	17- 30
C231 2990	Magnet Catch Holder	17- 23
C231 3479	Spring Plate	41- 6
C231 3485	Sensor Bracket	41- 11
C231 3486	Bushing	41- 29
C231 3487	Pressure Spring	41- 30
C231 3489	Lower Roller Gear	41- 28
C231 3493	Coupled Gear - Large	41- 33
C231 3494	Gear - Upper Roller	41- 40
C231 3513	Stepped Screw	41- 3
C231 4409	Support Plate	39- 37
C231 4410	End Plate Bracket	39- 24
C231 4413	Delivery Table Spring	39- 15
C231 4415	Upper Side Fence Pin	39- 19
C231 4420	Slider Spring Plate	39- 11
C231 4425	End Plate Sheet	39- 25
C231 5880	Air Knife Fan	41- 24
C231 5880	Air Knife Fan	37- 11
C231 5890	Main Motor - DC24V	43- 11
C232 5351	Connector - 68POLE	57- 2
C233 4399	Delivery Table Front Stay	39- 33
C233 4400	Delivery Table Rear Stay	39- 32
C233 4405	Antistatic Brush	39- 26
C233 4409	Base Spacer - Paper Exit Sub-unit	39- 41
C233 4414	Pin - Lower Side Fence	39- 8
C233 4418	Link Spring Plate	39- 6
C233 4424	Pin - Lower End Fence	39- 34
C233 4426	Front Exit Guide	39- 10
C233 4427	Rear Exit Guide	39- 3
C233 4430	Antistatic Brush	39- 21
C236 1655	Carriage No.1 Ass'y	13- 13

Part No.	Description	Page and Index No.
C236 1672	Xenon Lamp - 10	13- 1
C236 1673	Lens Ass'y	13- 11
C236 1719	Ground Plate - Scanner Unit	13- 9
C236 1812	Pulley - Slow Down Ass'y	15- 26
C236 1815	Stepper Motor Base	15- 28
C236 1816	Tension Spring 8215mn	15- 23
C236 1817	Motor Bracket	15- 25
C236 1821	Timing Belt - B60S2M140	15- 27
C236 1822	Timing Belt - B60S2M186	15- 20
C236 1825	Stepper Motor - Ass'y	15- 22
C236 1829	Slow Down Flange - MM15	15- 29
C236 2844	Stepped Screw (CHN)	19- 31
C236 5209	SBU Harness	13- 12
C236 5274	ADF Relay Harness	47- 14
C236 5353	IC - GATC LC27047C-RJ0	57- 3
C237 3505	Pin 3x16	41- 47
C237 3523	Pin - Pressure Plate	41- 52
C237 3524	Pressure Spring	41- 17
C237 3525	Spring	41- 16
C237 3571	Master Pick-off Pawl	41- 36
C237 3573	Spring	41- 46
C237 3575	Master Pick-off Pawl Shaft	41- 45
C237 3576	Separation Plate Cushion	41- 22
C237 3684	Gear - Pressuer Plate	41- 44
C237 5471	Total Counter - 6fig	49- 17
C237 5472	Total Counter - 7fig	49- 18
C403 1899	Rubber Bushing - M4	45- 23
C580 1011	Interface Board	47- 25
C580 1550	Stepped Screw - M2.6	47- 27
C608 1000	Optional Drum Case	65- 5
C608 1251	Decal - Drum Position	65- 6
C608 1265	Decal - Type 30 A3	65- 4
C608 2251	Drum Decal - Red	65- 7
C608 2252	Drum Decal - Blue	65- 7
C608 2253	Drum Decal - Green	65- 7

Part No.	Description	Page and Index No.
C608 2254	Drum Decal - Brown	65- 7
C608 2259	Decal - Shield Drum White	65- 7
C608 2529	Ink Pump - Color Drum	29- 8
C609 2360	A4 Flange - Front	33- 8
C609 2362	A4 Flange - Rear	33- 10
C609 2382	Cloth Screen - A4	31- 1
C609 2580	Metal Screen - A4	33- 20
C609 2582	Metal Screen Mylar - A4	33- 21
C615 5202	Relay Harness - 820mm	47- 26
H012 1181	Bushing- 6mm	23- 29
H521 5010	Scanner Motor - ADF	45- 16

Part No.	Description	Page and Index No.
AA05 0107	Scanner Wire	15- 17
AA06 3163	Connector Spring	21- 25
AA14 3005	Stepped Screw - M4x2.5	49- 20
AA14 3120	Stepped Screw - M3x3	21- 24
AA14 3402	Screw - SCALE	21- 1
AB03 0630	Timing Pulley - 60T	15- 12
AB03 2066	Front Pulley - Wire Drive	15- 18
AB03 2067	Rear Pulley - Wire Drive	15- 21
AC03 0123	3rd Mirror	15- 10
AW01 0076	Photosensor - PS-117D1	17- 16
AW01 0076	Photosensor - PS-117D1	37- 14
AW02 0075	Photointerrupter	41- 35
AW02 0075	Photointerrupter	17- 13
AW02 0075	Photointerrupter	21- 5
AW02 0075	Photointerrupter	25- 25
AW02 0075	Photointerrupter	27- 38
AW02 0075	Photointerrupter	45- 14
AW02 0086	Photointerrupter	11- 4
AW10 0022	Optics Thermistor	35- 6
AW50 0012	Push Switch	41- 21
AW50 0012	Push Switch	21- 31

Part No.	Description	Page and Index No.
0242 0080Z	Screw - M2X8	25-105
0313 0040B	Philips Pan Head Screw - M3x4	23-101
0313 0050B	Philips Pan Head Screw - M3x5	15-104
0313 0060B	Philips Pan Head Screw - M3x6	25-102
0313 0350B	Philips Pan Head Screw - M3x35	49-109
0314 0040B	Philips Pan Head Screw - M4x4	47-101
0314 0040B	Philips Pan Head Screw - M4x4	17-111
0314 0040B	Philips Pan Head Screw - M4x4	27-109
0314 0040B	Philips Pan Head Screw - M4x4	33-104
0314 0040B	Philips Pan Head Screw - M4x4	45-103
0314 0040B	Philips Pan Head Screw - M4x4	29-103
0314 0060B	Philips Pan Head Screw - M4x6	23-106
0314 0080Z	Philips Screw - 4x8	35-107
0323 0100Z	Philips Sunken Head Screw - M3x10	49-105
0353 0040B	Screw - M3x4	29-101
0353 0040Z	Binding Head Screw M3x4 (100pcs)	9-102
0353 0050B	Philips Truss Head Screw - M3x5	35-111
0353 0050B	Philips Truss Head Screw - M3x5	29-104
0353 0050B	Philips Truss Head Screw - M3x5	31-102
0353 0050Z	Philips Truss Head Screw - M3x5	41-107
0353 0050Z	Philips Truss Head Screw - M3x5	11-102
0353 0060B	Philips Pan Head Screw - M3x6	27-107
0353 0060B	Philips Pan Head Screw - M3x6	43-103
0353 0120Z	Screw - M3x12	35-101
0354 0060B	Screw - M4X6	29-107
0354 0060B	Screw - M4X6	31-101
0354 0060B	Screw - M4X6	35-112
0354 0080Z	Screw - M4X8	45-106
0354 0140B	Screw - M4X14	45-107
0450 3006B	Tapping Screw - M3x6	35-109
0450 3006B	Tapping Screw - M3x6	23-105
0450 3006B	Tapping Screw - M3x6	17-110
0450 3006B	Tapping Screw - M3x6	19-115
0450 3008B	Tapping Screw - M3x8	33-105
0450 3008B	Tapping Screw - M3x8	17-112

Part No.	Description	Page and Index No.
0450 3008H	Tapping Screw - M3x8	7-101
0450 3012B	Tapping Screw - 3x12	39-102
0450 4006B	Tapping Screw - 4x6	29-115
0450 4008B	Tapping Screw - 4x8	17-108
0450 4008B	Tapping Screw - 4x8	37-104
0450 4008B	Tapping Screw - 4x8	41-103
0450 4008B	Tapping Screw - 4x8	39-103
0450 4010B	Tapping Screw - 4x10	7-103
0450 4025B	Tapping Screw With Washer - M4x25	49-102
0451 3006B	Tapping Screw - M3x6	47-105
0451 3006B	Tapping Screw - M3x6	17-107
0451 3006B	Tapping Screw - M3x6	7-104
0451 3006B	Tapping Screw - M3x6	43-114
0451 3006B	Tapping Screw - M3x6	37-101
0451 3006B	Tapping Screw - M3x6	25-101
0451 3006B	Tapping Screw - M3x6	21-104
0451 3006B	Tapping Screw - M3x6	23-102
0451 3006B	Tapping Screw - M3x6	15-101
0451 3006B	Tapping Screw - M3x6	13-105
0451 3006B	Tapping Screw - M3x6	45-110
0451 3006B	Tapping Screw - M3x6	49-106
0451 3006B	Tapping Screw - M3x6	19-106
0451 3006B	Tapping Screw - M3x6	51-103
0451 3006B	Tapping Screw - M3x6	11-101
0451 3006B	Tapping Screw - M3x6	41-104
0451 3006H	Tapping Screw - 3x6	23-108
0451 3008B	Tapping Screw - M3x8	15-103
0451 3008B	Tapping Screw - M3x8	25-108
0451 3008B	Tapping Screw - M3x8	11-104
0451 3008B	Tapping Screw - M3x8	39-105
0451 3008W	Tapping Screw M3x8	25-107
0451 3010H	Tapping Screw - 3x10	7-105
0451 4006B	Tapping Screw - 4x6	43-110
0451 4006B	Tapping Screw - 4x6	41-106
0451 4006B	Tapping Screw - 4x6	27-105

Part No.	Description	Page and Index No.
0451 4006B	Tapping Screw - 4x6	47-103
0451 4006B	Tapping Screw - 4x6	21-102
0451 4006B	Tapping Screw - 4x6	51-102
0451 4006B	Tapping Screw - 4x6	17-109
0451 4006B	Tapping Screw - 4x6	49-101
0451 4006B	Tapping Screw - 4x6	45-102
0451 4006B	Tapping Screw - 4x6	39-106
0451 4006B	Tapping Screw - 4x6	19-105
0451 4006B	Tapping Screw - 4x6	37-102
0451 4008H	Tapping Screw - 4x8	7-102
0451 4008H	Tapping Screw - 4x8	23-107
0451 4008W	Tapping Screw - M4x8	21-109
0451 4008W	Tapping Screw - M4x8	27-112
0451 4008W	Tapping Screw - M4x8	19-108
0451 4008W	Tapping Screw - M4x8	47-106
0451 4008W	Tapping Screw - M4x8	51-104
0451 4008W	Tapping Screw - M4x8	43-115
0451 4008W	Tapping Screw - M4x8	37-108
0451 4012B	Tapping Screw - 4x12	21-114
0451 4012H	Tapping Screw - 4x12	7-106
0451 4014B	Tapping Screw - M4x14	37-103
0451 4014B	Tapping Screw - 4x14	41-112
0452 3006B	Tapping Screw - M3x6	33-106
0452 3008H	Binding Self-tapping Screw - 3x8	39-101
0453 3006B	Tapping Screw - M3x6	19-116
0453 3006B	Tapping Screw - M3x6	49-108
0453 3006B	Tapping Screw - M3x6	45-109
0453 3006B	Tapping Screw - M3x6	51-105
0453 3014B	Tapping Screw - M3x14	13-101
0574 0040E	Hexagon Headless Set Screw - M4x4	19-110
0574 0040E	Hexagon Headless Set Screw - M4x4	23-104
0574 0050E	Hexagon Headless Set Screw - M4x5	19-113
0574 0080E	Hexagon Headless Set Screw - M4x8	45-105
0575 0050E	Hexagon Headless Set Screw - M5x5	15-102
0575 0060E	Hexagon Headless Set Screw - M5x6	43-109

Part No.	Description	Page and Index No.
0575 0080E	Hexagon Headless Set Screw - M5x8	35-105
0584 0121Z	Hexagon Bolt - M4x12	27-103
0593 0040B	Hexagonal Set Screw - M3x4	27-110
0593 0080E	Bolt - M3x8	27-101
0593 0100Z	Bolt M3x10	33-107
0594 0080B	Hexagon Hole Bolt - M4x8	29-111
0594 0080B	Hexagon Hole Bolt - M4x8	35-104
0594 0080E	Bolt - M4x8	17-102
0594 0080E	Bolt - M4x8	19-111
0594 0080Z	Bolt - M4x8	33-108
0594 0120W	Hexagon Bolt - M4x12	35-110
0622 5140E	Spring Pin - 2.5x14mm	43-101
0623 0080E	Spring Pin - 3x8mm	27-114
0624 0160E	Spring Pin - 4x16mm	19-109
0633 0140G	Parallel Pin - 3x14	37-106
0633 0140G	Parallel Pin - 3x14	21-107
0633 0140G	Parallel Pin - 3x14	21-112
0701 0030Z	Flat Washer - M3	21-110
0701 0030Z	Flat Washer - M3	27-113
0701 0040Z	Flat Washer - M4	19-112
0701 0040Z	Flat Washer - M4	17-101
0701 0060Z	Flat Washer - M6	19-102
0707 8100B	Bushing - M8x10	21-101
0710 0040Z	Hex Nut 4	27-102
0720 0020E	Retaining Ring - M2	41-111
0720 0020E	Retaining Ring - M2	33-101
0720 0030E	Retaining Ring - M3	25-103
0720 0030E	Retaining Ring - M3	43-108
0720 0030E	Retaining Ring - M3	21-106
0720 0030E	Retaining Ring - M3	41-101
0720 0030Z	Retaining Ring - M3	39-104
0720 0040E	Retaining Ring - M4	45-101
0720 0040E	Retaining Ring - M4	31-103
0720 0040E	Retaining Ring - M4	19-101
0720 0040E	Retaining Ring - M4	41-102

Part No.	Description	Page and Index No.
0720 0040E	Retaining Ring - M4	25-106
0720 0040E	Retaining Ring - M4	43-116
0720 0040E	Retaining Ring - M4	21-113
0720 0040E	Retaining Ring - M4	23-103
0720 0040E	Retaining Ring - M4	27-104
0720 0040E	Retaining Ring - M4	17-105
0720 0050E	Retaining Ring - M5	29-113
0720 0050E	Retaining Ring - M5	35-108
0720 0050Z	Retaining Ring - M5	21-111
0720 0060E	Retaining Ring - M6	43-106
0720 0060E	Retaining Ring - M6	29-109
0720 0060E	Retaining Ring - M6	37-105
0720 0060E	Retaining Ring - M6	21-108
0720 0060E	Retaining Ring - M6	17-104
0720 0080E	Retaining Ring - M8	19-103
0720 0080E	Retaining Ring - M8	27-106
0725 0160E	Retaining Ring C - M16	35-103
0740 3010	Ball Bearing - 10x26x8mm	43-104
0740 3010	Ball Bearing - 10x26x8mm	43-112
0740 3908	Ball Bearing - 8x19x6	19-104
0741 3706	Ball Bearing - 6x10x3	19-107
0801 0103	Screw - M4X8	31-104
0801 0103	Screw - M4X8	29-108
0801 0150	Philips Screw - M4x8	51-110
0802 5276	Tapping Screw With Washer - M3x6	13-102
0804 6091	Hexagonal Set Screw - M2x5	33-110
0804 6107	Hexagon Bolt - M2x4	33-103
0805 3368	Ball Bearing - 8x16x5mm	21-103
0805 3385	Bushing - 6mm	41-108
0807 4043	Spacer	29-110
0807 5009	Spacer - 8.1x11.5x0.1mm	43-102
0807 7046	Washer - 10.5x20x0.2mm	43-107
0807 7114	Washer - 16x24x0.3mm	35-102
0808 0021	Rubber Ring	29-112
0950 4010B	Sems Screw - M4x10	41-105

Part No.	Description	Page and Index No.
0951 3006W	Philips Screw With Flat Washer - M3x6	27-108
0951 3006Z	Philips Screw With Flat Washer - M3	9-101
0951 3006Z	Philips Screw With Flat Washer - M3	15-105
0951 3006Z	Philips Screw With Flat Washer - M3	29-117
0951 3006Z	Philips Screw With Flat Washer - M3x6	33-109
0951 3006Z	Philips Screw With Flat Washer - M3	57-101
0951 3008Z	Philips Screw With Flat Washer - M3	31-105
0951 3010Z	Philips Screw With Flat Washer - M3	41-113
0951 3012B	Philip Screw With Flat Washer - M3x12	17-103
0951 3012Z	Philips Screw W/H Flat Washer - M3x12	57-102
0951 4006Z	Philips Screw With Flat Washer - M4	29-114
0951 4006Z	Philips Screw With Flat Washer - M4	35-106
0951 4010Z	Philips Screw With Flat Washer - M4x10	29-102
0951 4020B	Philips Screw With Washer - M4x20	51-101
0951 5020B	Polished Round Screw - M5x20	43-105
0954 4008B	Philips Screw - M4x8	43-113
0954 4008B	Philips Screw - M4x8	47-102
0954 4008B	Philips Screw - M4x8	41-114
1100 1474	Test Pin	57-103
1102 4205	CT Header - 6P	57-104
1102 4684	Connector - 5566-06R-210	57-105
1102 5412	Connector - 26P	57-106
1102 5413	Connector - 28P	57-107
1102 5414	Connector - 30P	57-108
1102 6592	Connector - 8P	57-109
1102 6595	Connector - 11P	57-110
1102 7445	Connector - 46P	47-110
1102 7455	Connector - FX6-60S-0.8SV2	57-111
1102 7857	Connector - B32B-KRWHK-1C	57-112
1102 8063	Connector - 54373-0600	57-113
1102 8400	Connector - B13B-CZHK-B-1	57-114
1102 8406	Connector - B20B-CZWHK-B-1	57-115
1102 8408	Connector - B24B-CZWHK-B-1	57-116
1102 8410	Connector - B28B-CZWHK-B-1	57-117
1102 8594	Connector - B15B-CZHK-B-1	57-118

Part No.	Description	Page and Index No.
1102 8596	Connector - B30B-CZW HK-B-1	57-119
1104 0588	DIP Socket - 28p	57-120
1105 0005	Nylon Clamp - 3N	29-116
1105 0005	Nylon Clamp - 3N	33-102
1105 0195	PCB Stud	13-104
1105 0267	Harness Clamp - YMC-10-0	41-109
1105 0267	Harness Clamp - YMC-10-0	37-107
1105 0283	Clamp	35-113
1105 0310	Harness Clamp - LWS-1S	41-110
1105 0460	Clamp	13-103
1105 0488	Harness Clamp	51-111
1105 0488	Harness Clamp	11-103
1105 0488	Harness Clamp	47-104
1105 0490	Harness Clamp - IWS-2218	27-111
1105 0490	Harness Clamp - IWS-2218	47-107
1105 0490	Harness Clamp - IWS-2218	21-105
1105 0508	Harness Clamp - LWS-0711	25-104
1105 0508	Harness Clamp - LWS-0711	51-108
1105 0508	Harness Clamp - LWS-0711	49-107
1105 0508	Harness Clamp - LWS-0711	45-108
1105 0511	Harness Clamp - LWS-0306ZC	45-104
1105 0511	Harness Clamp - LWS-0306ZC	51-107
1105 0511	Harness Clamp - LWS-0306ZC	43-111
1105 0511	Harness Clamp - LWS-0306ZC	19-114
1105 0516	Clamp	17-106
1105 0516	Clamp	29-105
1105 0516	Clamp	33-111
1105 0518	Edge Saddle - LES-1010	29-106
1106 0167	Bushing - 11mm	51-112
1106 0349	Bushing - 25	51-109
1106 0351	Bushing - 12x35x48	51-106
1107 0868	Fuse - 5A 125V	47-108
1107 0880	Fuse - 6.3A 250V	47-109
1107 0935	Fuse - 10A 125V	47-111
1204 2497	Micro Switch	49-104

Part No.	Description	Page and Index No.
1204 2501	Main Switch	49-103
1400 0455	Transistor - 2SC2873Y	57-121
1400 0555	Transistor - DTC143EK	57-122
1401 0400	Transistor Array - SLA4060	57-123
1402 0804	Silicon Diode - 45V - 0.3A	57-124
1402 1041	Diode - DA204U	57-125
1402 1342	Diode - 1SR154-400	57-126
1403 0829	Diode - SEC1201C	57-127
1407 1535	IC - TD62308AP	57-128
1407 2187	TTLIC - SN74LS07NS	57-129
1407 4565	IC - TE6251	57-130
1407 4696	IC - M48T58Y-70PC1	57-131
1407 4870	CMOSIC - 74VHC08 TSSOP	57-132
1407 4874	CMOSIC - 74VHC32 TSSOP	57-133
1407 4879	CMOS IC - 74VHC74 TSSOP	57-134
1407 4898	IC - 74VHC14 TSSOP	57-135
1407 4900	IC - 74VHC138 TSSOP	57-136
1407 4902	IC - 74VJC157 TSSOP	57-137
1407 4919	IC - 74VHCT244 TSSOP	57-138
1407 5032	IC - MBM29F400TC-70PFTN	57-139
1407 5162	IC - HD6412350F20	57-140
1407 5331	IC - TC7MB3245FK	57-141
1408 0575	IC - M51957BFP	57-142
1408 0595	IC - NJM2904M	57-143
1408 0827	IC - TA8429H	57-144
1408 1204	IC - TA8083P	57-145
1408 1295	IC - UPC2933T	57-146
1408 1408	IC - STK672-060	57-147
1408 1410	IC - STK672-120	57-148
1408 1466	Series Regulator - TA78M05S	57-149
1408 1549	IC - STK672-210	57-150
1503 0837	Oscillator - 21.576MHZ	57-151
1503 0863	Oscillator - 14.7456MHZ	57-152
1503 0871	Oscillator - 44MHZ	57-153
1601 7751	Resistor - 4.7K Ω \pm 5%	57-154

Part No.	Description	Page and Index No.
1601 7752	Resistor Array - 10K Ω \pm 5%	57-155
1601 7796	Resistor Array - 2.2KO	57-156
1601 7814	Resistor - 3.3K Ω \pm 5%	57-157
1601 7867	Resistor - 33 Ω \pm 5% 1/16W	57-158
1601 8608	Resistor - 200K Ω \pm 10% 0.5W	57-159
1602 0987	Capacitor & Coil - 270pF 100V	57-160
1602 7011	Capacitor - 270pF \pm 20% 50V	57-161
1605 0744	Capacitor - EMK212F105Z	57-162
1605 0781	Capacitor - 5pF 50V	57-163
1605 1136	Ceramic Capacitor - 33000pF \pm 10% 25V	57-164
1605 1161	Capacitor - 0.33 μ F \pm 10% 10V	57-165
1605 1190	Ceramic Capacitor - 0.022 μ F \pm 10% 50V	57-166
1607 0815	BLM41P600SPB	57-167
1607 0870	Filter - BK1608HS121	57-168
1607 1016	Filter Array - MZA3216R301A	57-169
1607 1018	Filter - ACB1608H-120	57-170
1610 1234	Resistor - 47 Ω 1W \pm 5%	57-171
1630 3151	Resistor - 150 Ω \pm 5% 1/10W	57-172
1630 4101	Resistor - 100 Ω \pm 5% 1/16W	57-173
1630 4102	Resistor - 1.0K Ω \pm 5% 1/16W	57-174
1630 4103	Resistor - 10K Ω \pm 5% 1/16W	57-175
1630 4105	Resistor - 1.0M Ω \pm 5% 1/16W	57-176
1630 4244	Resistor - 240K Ω \pm 5% 1/16W	57-177
1630 4271	Resistor - 270 Ω \pm 5% 1/16W	57-178
1630 4330	Resistor - 33 Ω \pm 5% 1/8W	57-179
1630 4332	Resistor - 3.3K Ω \pm 5% 1/16W	57-180
1630 4471	Resistor - 470 Ω \pm 5% 1/16W	57-181
1630 4472	Resistor - 4.7K Ω \pm 5% 1/16W	57-182
1630 4473	Resistor - 47k Ω - \pm 5% - 1/16W	57-183
1630 4514	Resistor - 510k Ω \pm 5.00% 1/16W	57-184
1630 4683	Resistor - 68k Ω \pm 5% 1/16W	57-185
1630 4824	Resistor - 820k Ω \pm 5% 1/16W	57-186
1633 1001	Resistor - 1K Ω \pm 1% 1/10W	57-187
1633 1002	Resistor - 10K Ω \pm 1% 1/10W	57-188
1633 3741	Resistor - 3.7K Ω \pm 5% 1/10W	57-189

Part No.	Description	Page and Index No.
1633 3831	Resistor - 3.83K Ω \pm 1% 1/10W	57-190
1633 5101	Resistor - 5.1k Ω \pm 1% 1/10W	57-191
1633 5621	Resistor - 5.62K Ω \pm 1% 1/10W	57-192
1633 8200	Resistor - 820 Ω \pm 1% 1/10W	57-193
1634 0000	Resistor - 0 Ω 1/16W	57-194
1634 1000	Resistor - 100 Ω \pm 1% 1/16W	57-195
1634 1600	Resistor - 160 Ω \pm 1% 1/16W	57-196
1634 4700	Resistor - 470 Ω \pm 1% 1/16W	57-197
1640 1101	Capacitor - 100 μ F - \pm 20% 16V	57-198
1640 2470	Capacitor - 47 μ F \pm 20% 25V	57-199
1640 5100	Capacitor - 10 μ F +20% 50	57-200
1640 5101	Capacitor - 100 μ F \pm 20% 50V	57-201
1652 1201	Resistor - 1.2K Ω \pm 1% 1/4W	57-202
1652 4700	Resistor - 470 Ω \pm 1% 1/4W	57-203
1653 1911	Resistor - 1.91K Ω \pm 1% 1/8W	57-204
1660 0100	Capacitor - 10PF \pm 0.5pF 50V	57-205
1660 2101	Capacitor - 100pF - \pm 10% - 50V	57-206
1660 2151	Capacitor - 150pF \pm 20% 35V	57-207
1660 2220	Capacitor - 22pF \pm 20% 35V	57-208
1660 2470	Capacitor - 47pF \pm 5% 50V	57-209
1660 2471	Capacitor - 470pF - \pm 5% - 50V	57-210
1660 4102	Capacitor - 1000pF \pm 10% 50V	57-211
1660 4103	Capacitor - 10000pF - \pm 10% - 50V	57-212
1660 8104	Capacitor - 0.1 μ F +80-20% 25V	57-213
1902 0056	RAM - 256K X870NS G14	57-214

Part No.	Description	Page and Index No.
5053 0223	Bushing - 8mm	21- 35
5053 0419	Bushing - 10mm	27- 39
5053 0419	Bushing - 10mm	19- 25
5054 0536	Magnet Catch Ass'y	29- 19
5054 0536	Magnet Catch Ass'y	23- 25
5054 0536	Magnet Catch Ass'y	49- 3
5054 0536	Magnet Catch Ass'y	21- 32
5219 1957	Stepped Screw - M4	17- 39
5442 1659	Stepped Screw - M4	43- 5
5442 1924	Exposure Glass Cushion	11- 3
5446 3648	Stepped Screw - M4	43- 25
5501 8195	Steel Ball 3/16,	21- 36
5506 6111	Stepped Screw - M4	27- 37
5506 6197	Screw - Knife Cam - Leading Edge CL	43- 24
5606 2310	Roller	17- 43

Part No.	Description	Page and Index No.